

4.ITA SERIES

PCB-Encapsulated Transformer



- Rated power: 20.0VA
- Non short-circuit proof safety isolating transformer
- Vacuum filling
- Two compartments bobbin
- Protection: Class II transformer
- Ambient temperature 70°C
- Temperature Class B
- Self-extinguishing resin UL94V0
- Degree of protection IP00
- Insulation voltage test 4kV
- High electrical safety and long service-life features
- In compliance with: EN61558-1, EN61558-2-6
- Weight: 600g

Approvals:



Electrical Data:

Primary Voltage	Secondary Voltage			Voltage Drop	Rated Power	Height*	Pin	4.ITA Series
	With Load		No Load					
[V]	[V]	@ [A]	[V]	[%]	[VA]	H* [mm]	[Prim / Sec]	Order code
230	6	3.333	7.2	20	20	44.5	1-7/9-13	4.ITA.E06020.203
230	2 x 6	1.667	2 x 7.2	20	20	44.5	1-7/8-9;13-14	4.ITA.E06020.204
230	7.5	2.667	9.0	20	20	44.5	1-7/9-13	4.ITA.E06020.205
230	2 x 7.5	1.333	2 x 9.0	20	20	44.5	1-7/8-9;13-14	4.ITA.E06020.206
230	9	2.222	10.8	20	20	44.5	1-7/9-13	4.ITA.E06020.207
230	2 x 9	1.111	2 x 10.8	20	20	44.5	1-7/8-9;13-14	4.ITA.E06020.208
230	12	1.667	14.4	20	20	44.5	1-7/9-13	4.ITA.E06020.209
230	2 x 12	0.833	2 x 14.4	20	20	44.5	1-7/8-9;13-14	4.ITA.E06020.210
230	15	1.333	18.0	20	20	44.5	1-7/9-13	4.ITA.E06020.211
230	2 x 15	0.667	2 x 18.0	20	20	44.5	1-7/8-9;13-14	4.ITA.E06020.212
230	18	1.111	21.6	20	20	44.5	1-7/9-13	4.ITA.E06020.213
230	2 x 18	0.556	2 x 21.6	20	20	44.5	1-7/8-9;13-14	4.ITA.E06020.214
230	21	0.952	25.2	20	20	44.5	1-7/9-13	4.ITA.E06020.215
230	2 x 21	0.476	2 x 25.2	20	20	44.5	1-7/8-9;13-14	4.ITA.E06020.216

* See Mechanical Data

Types available on request:

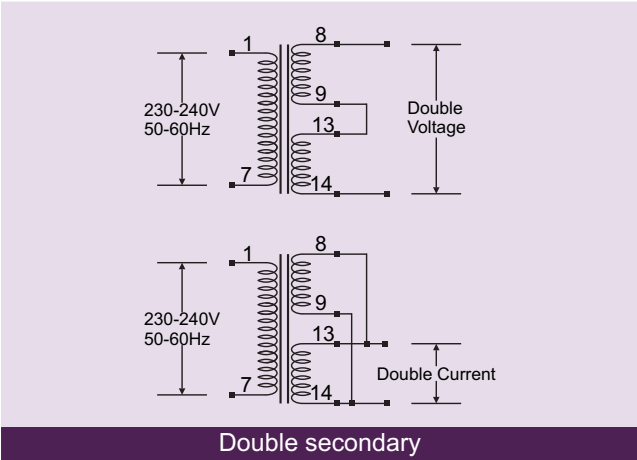
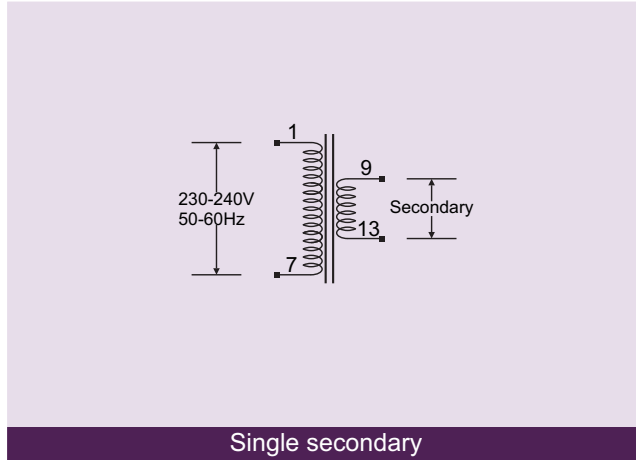
Primary Voltage	Secondary Voltage			Voltage Drop	Rated Power	Height*	Pin	ITA Series
	With Load		No Load					
[V]	[V]	@ [mA]	[V]	[%]	[VA]	H* [mm]	[Prim / Sec]	Order code
<600			<400	20	20	44.5	1, 7 / 8, 9,13,14	9.xxx.E06020.xxx
<600			<400	20	28	49.0	1, 7 / 8, 9,13,14	9.xxx.E06025.xxx
<600			<400	20	30	54.0	1, 7 / 8, 9,13,14	9.xxx.E06030.xxx

* See Mechanical Data

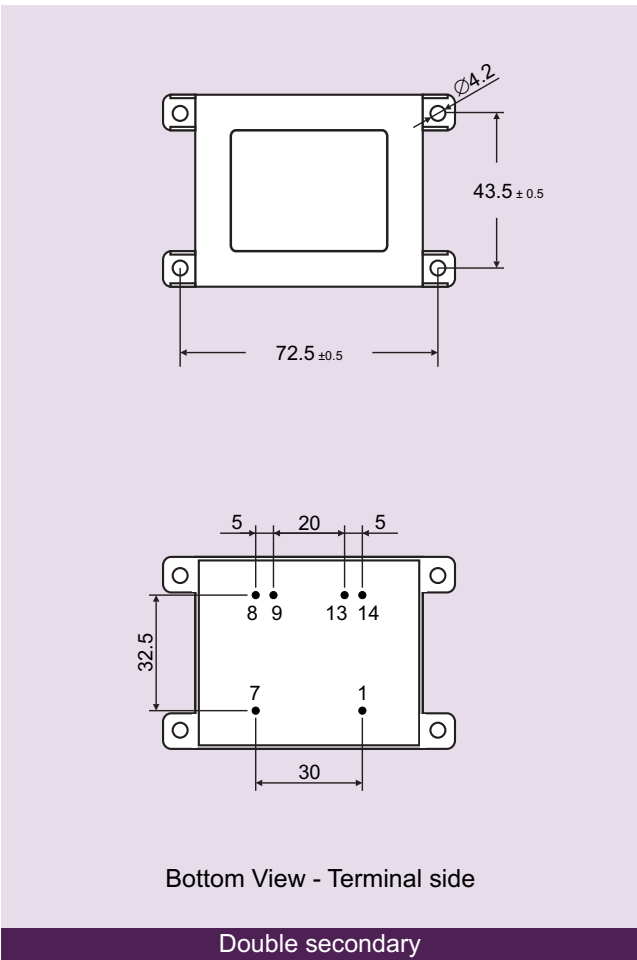
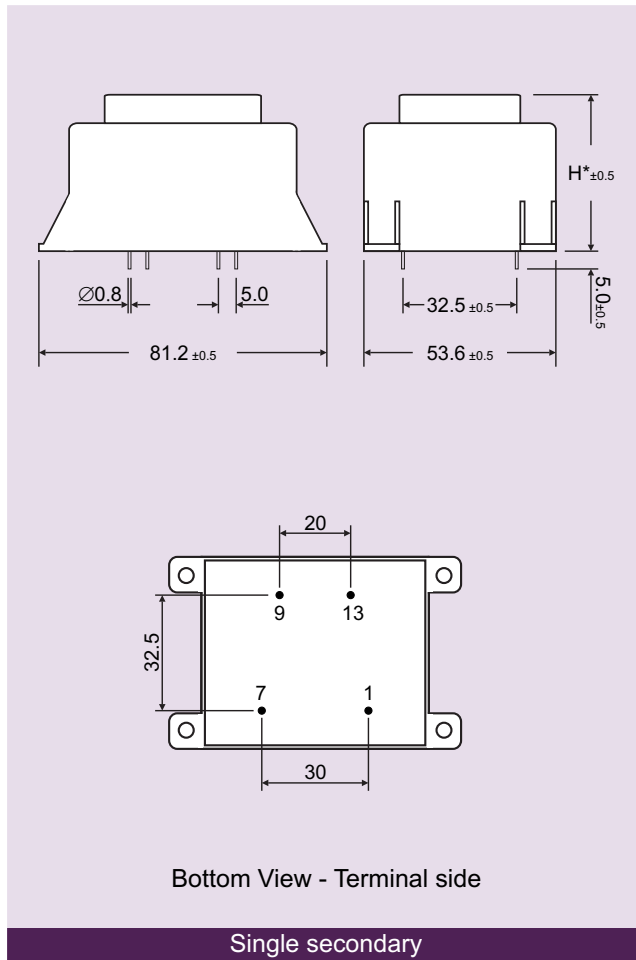
4.ITA SERIES

PCB-Encapsulated Transformer

Possible Connection Types:



Mechanical Data:



*Transformer height is given in table with Electrical Data

Several hundreds of types provide high electrical safety and long service-life for printed circuit boards, household appliances, leisure electronics, heating and control technology as well as in assembly techniques. Transformers for special requirements with lower open-circuit (no load) loss capacity are also available on request as well as transformers for special ambient temperature and frequency conditions.