

2.CKL SERIES

L Brackets Mounting Dry Type Power Transformer

EI150/66



- Rated power: 800VA
- Safety Isolating & Isolating Transformers
- Non-short-circuit proof
- Ambient temperature 40°C
- Temperature Class B
- Self-extinguishing plastics UL94HB
- Degree of protection IP00
- Clamp Terminals for Currents up to 60A
- Moisture protected by varnish
- High electrical safety and long service-life features
- In compliance with: EN61558-1, EN61558-2-4, EN61558-2-6
- Weight: 10,4 kg

Approvals:



Electrical Data:

Primary Voltage	Secondary Voltage			Voltage Drop	Rated Power	Width*	Safety Isolating / Isolating transformers	2.CKL Series
	With Load	No Load						
[V]	[V]	@ [A]	[V]	[%]	[VA]	B / C[mm]	[SIT / IT]	Order code
230	12	66.7	12.7	5.5	800	148 / 98.5	SIT	2.CKL.E15066.209
230	2 x 12	33.3	2 x 12.7	5.5	800	148 / 98.5	SIT	2.CKL.E15066.210
230	21	38.1	22.2	5.5	800	148 / 98.5	SIT	2.CKL.E15066.215
230	24	33.3	25.3	5.5	800	148 / 98.5	SIT	2.CKL.E15066.217
230	2 x 24	16.7	2 x 25.3	5.5	800	148 / 98.5	SIT	2.CKL.E15066.218
230	36	22.2	38.0	5.5	800	148 / 98.5	SIT	2.CKL.E15066.221
230	42	19.1	44.3	5.5	800	148 / 98.5	SIT	2.CKL.E15066.223
230	48	16.7	50.6	5.5	800	148 / 98.5	SIT	2.CKL.E15066.225
230	42, 48	16.7	44.3, 50.6	5.5	800	148 / 98.5	SIT	2.CKL.E15066.240
230	115	6.96	121	5.5	800	148 / 98.5	IT	2.CKL.E15066.260
230	230	3.48	243	5.5	800	148 / 98.5	IT	2.CKL.E15066.270
230	400	2.00	422	5.5	800	148 / 98.5	IT	2.CKL.E15066.280
400	12	66.7	12.7	5.5	800	148 / 98.5	SIT	2.CKL.E15066.409
400	2 x 12	33.3	2 x 12.7	5.5	800	148 / 98.5	SIT	2.CKL.E15066.410
400	21	38.1	22.2	5.5	800	148 / 98.5	SIT	2.CKL.E15066.415
400	24	33.3	25.3	5.5	800	148 / 98.5	SIT	2.CKL.E15066.417
400	2 x 24	16.7	2 x 25.3	5.5	800	148 / 98.5	SIT	2.CKL.E15066.418
400	36	22.2	38.0	5.5	800	148 / 98.5	SIT	2.CKL.E15066.421
400	42	19.1	44.3	5.5	800	148 / 98.5	SIT	2.CKL.E15066.423
400	48	16.7	50.6	5.5	800	148 / 98.5	SIT	2.CKL.E15066.425
400	42, 48	16.7	44.3, 50.6	5.5	800	148 / 98.5	SIT	2.CKL.E15066.440
400	115	6.96	121	5.5	800	148 / 98.5	IT	2.CKL.E15066.460
400	230	3.48	243	5.5	800	148 / 98.5	IT	2.CKL.E15066.470
400	400	2.00	422	5.5	800	148 / 98.5	IT	2.CKL.E15066.480

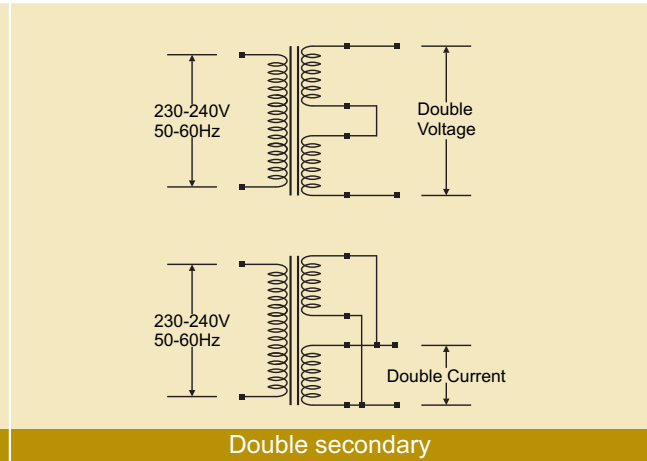
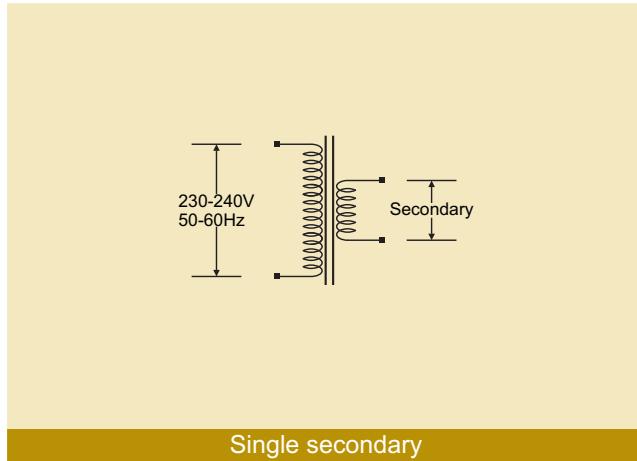
* See Mechanical Data

2.CKL SERIES

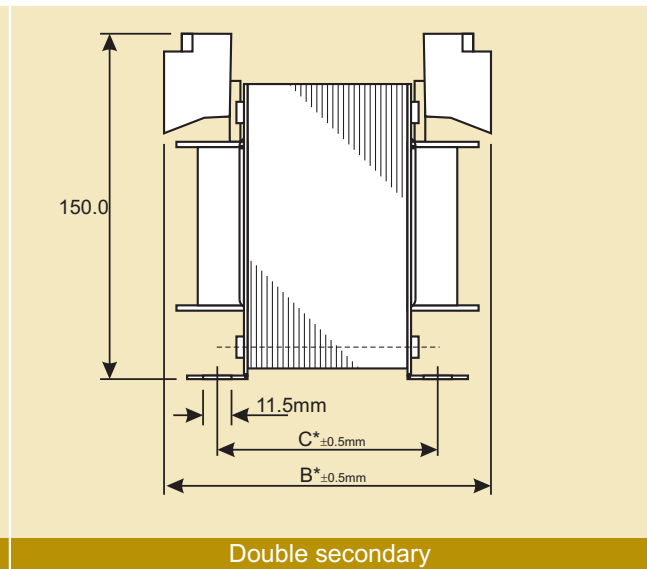
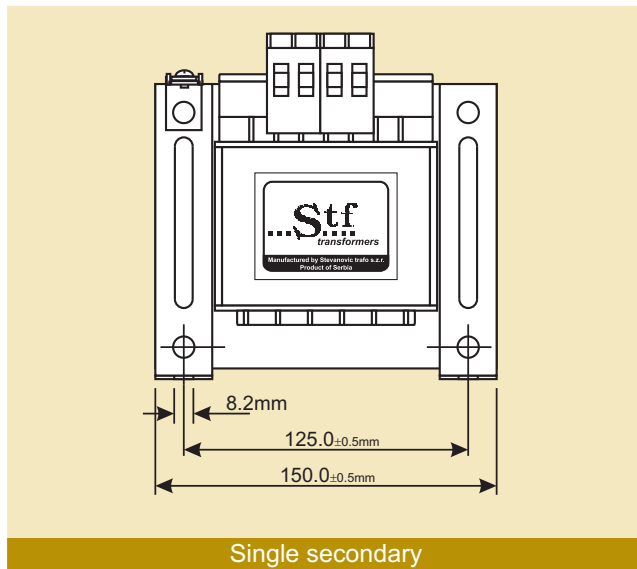
L Brackets Mounting Dry Type Power Transformer

EI150/66

Possible Connection Types:



Mechanical Data:



*Transformer width is given in table with Electrical Data

Types available on request:

Primary Voltage	Secondary Voltage			Voltage Drop	Rated Power	Width*	Safety Isolating / Isolating transformers	9.xxx Series
	With Load		No Load					
[V]	[V]	@ [A]	[V]	[%]	[VA]	B / C[mm]	[SIT / IT]	Order code
<600			<400	6.5	630	131 / 82.5	IT	9.xxx.E15049.xxx
<600			<400	5.5	800	148 / 98.5	IT	9.xxx.E15066.xxx
<600			<400	4	1000	174 / 124.5	IT	9.xxx.E15092.xxx

*See Mechanical Data