

2.CKL SERIES

L Brackets Mounting Dry Type Power Transformer

EI150/49

2.CKL Series



- Rated power: 630VA
- Safety Isolating & Isolating Transformers
- Non-short-circuit proof
- Ambient temperature 40°C
- Temperature Class B
- Self-extinguishing plastics UL94HB
- Degree of protection IP00
- Clamp Terminals for Currents up to 60A
- Moisture protected by varnish
- High electrical safety and long service-life features
- In compliance with: EN61558-1, EN61558-2-4, EN61558-2-6
- Weight: 8,3 kg

Approvals:



Electrical Data:

Primary Voltage	Secondary Voltage			Voltage Drop	Rated Power	Width*	Safety Isolating / Isolating transformers	2.CKL Series
	With Load		No Load					
[V]	[V]	@ [A]	[V]	[%]	[VA]	B / C[mm]	[SIT / IT]	Order code
230	12	52.5	12.8	6.5	630	131 / 82.5	SIT	2.CKL.E15049.209
230	2 x 12	26.3	2 x 12.8	6.5	630	131 / 82.5	SIT	2.CKL.E15049.210
230	21	30.0	22.4	6.5	630	131 / 82.5	SIT	2.CKL.E15049.215
230	24	26.3	25.6	6.5	630	131 / 82.5	SIT	2.CKL.E15049.217
230	2 x 24	13.1	2 x 25.6	6.5	630	131 / 82.5	SIT	2.CKL.E15049.218
230	36	17.5	38.3	6.5	630	131 / 82.5	SIT	2.CKL.E15049.221
230	42	15.0	44.7	6.5	630	131 / 82.5	SIT	2.CKL.E15049.223
230	48	13.1	51.1	6.5	630	131 / 82.5	SIT	2.CKL.E15049.225
230	42, 48	13.1	44.7, 51.1	6.5	630	131 / 82.5	SIT	2.CKL.E15049.240
230	115	5.48	123	6.5	630	131 / 82.5	IT	2.CKL.E15049.260
230	230	2.74	245	6.5	630	131 / 82.5	IT	2.CKL.E15049.270
230	400	1.58	426	6.5	630	131 / 82.5	IT	2.CKL.E15049.280
400	12	52.5	12.8	6.5	630	131 / 82.5	SIT	2.CKL.E15049.409
400	2 x 12	26.3	2 x 12.8	6.5	630	131 / 82.5	SIT	2.CKL.E15049.410
400	21	30.0	22.4	6.5	630	131 / 82.5	SIT	2.CKL.E15049.415
400	24	26.3	25.6	6.5	630	131 / 82.5	SIT	2.CKL.E15049.417
400	2 x 24	13.1	2 x 25.6	6.5	630	131 / 82.5	SIT	2.CKL.E15049.418
400	36	17.5	38.3	6.5	630	131 / 82.5	SIT	2.CKL.E15049.421
400	42	15.0	44.7	6.5	630	131 / 82.5	SIT	2.CKL.E15049.423
400	48	13.1	51.1	6.5	630	131 / 82.5	SIT	2.CKL.E15049.425
400	42, 48	13.1	44.7, 51.1	6.5	630	131 / 82.5	SIT	2.CKL.E15049.440
400	115	5.48	123	6.5	630	131 / 82.5	IT	2.CKL.E15049.460
400	230	2.74	245	6.5	630	131 / 82.5	IT	2.CKL.E15049.470
400	400	1.58	426	6.5	630	131 / 82.5	IT	2.CKL.E15049.480

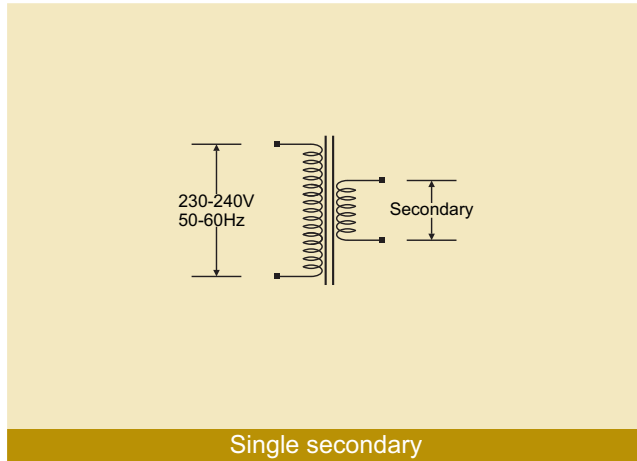
* See Mechanical Data

2.CKL SERIES

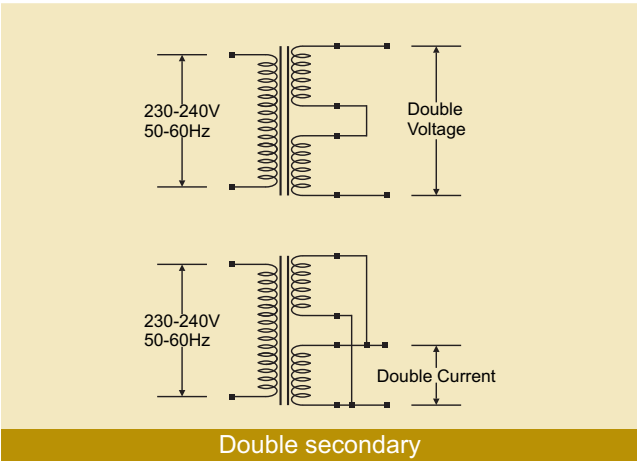
L Brackets Mounting Dry Type Power Transformer

EI150/49

Possible Connection Types:

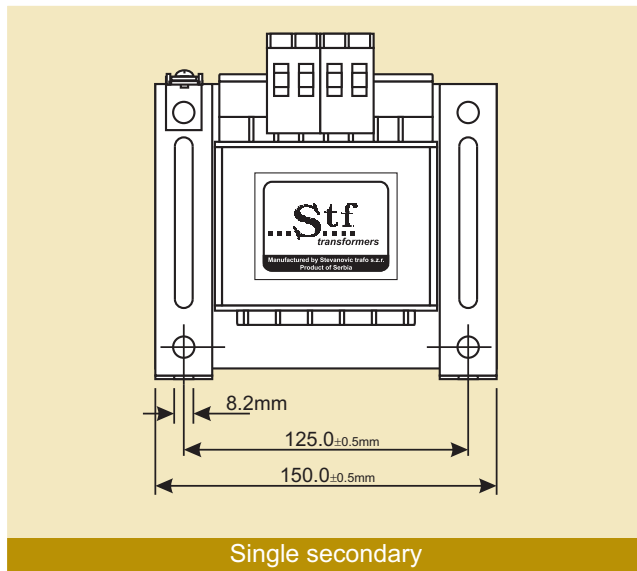


Single secondary

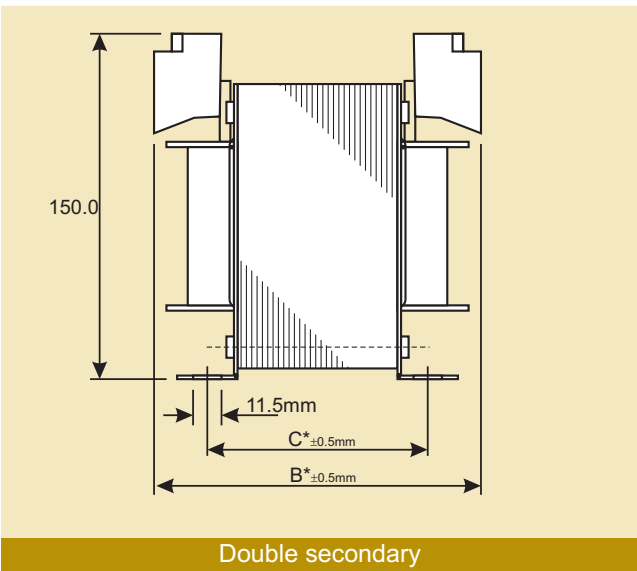


Double secondary

Mechanical Data:



Single secondary



Double secondary

*Transformer width is given in table with Electrical Data

Types available on request:

Primary Voltage	Secondary Voltage			Voltage Drop	Rated Power	Width*	Safety Isolating / Isolating transformers	9.xxx Series
	With Load		No Load					
[V]	[V]	@ [A]	[V]	[%]	[VA]	B / C[mm]	[SIT / IT]	Order code
<600			<400	6.5	630	131 / 82.5	IT	9.xxx.E15049.xxx
<600			<400	5.5	800	148 / 98.5	IT	9.xxx.E15066.xxx
<600			<400	4	1000	174 / 124.5	IT	9.xxx.E15092.xxx

*See Mechanical Data