

# 2.CKL SERIES

## L Brackets Mounting Dry Type Power Transformer

## EI96/60

2.CKL Series



- Rated power: 250VA
- Safety Isolating & Isolating Transformers
- Non-short-circuit proof
- Ambient temperature 40°C
- Temperature Class B
- Self-extinguishing plastics UL94HB
- Degree of protection IP00
- Clamp Terminals for Currents up to 60A
- Moisture protected by varnish
- High electrical safety and long service-life features
- In compliance with: EN61558-1, EN61558-2-4, EN61558-2-6
- Weight: 3520 g

### Approvals:



### Electrical Data:

Primary Voltage	Secondary Voltage			Voltage Drop	Rated Power	Width*	Safety Isolating / Isolating transformers	2.CKL Series
	With Load		No Load					
[V]	[V]	@ [A]	[V]	[%]	[VA]	B / C[mm]	[SIT / IT]	Order code
230	12	20.8	13.0	8	250	119 / 86.5	SIT	2.CKL.E09660.209
230	2 x 12	10.4	2 x 13.0	8	250	119 / 86.5	SIT	2.CKL.E09660.210
230	21	11.9	22.7	8	250	119 / 86.5	SIT	2.CKL.E09660.215
230	24	10.4	25.9	8	250	119 / 86.5	SIT	2.CKL.E09660.217
230	2 x 24	5.21	2 x 25.9	8	250	119 / 86.5	SIT	2.CKL.E09660.218
230	36	6.94	38.9	8	250	119 / 86.5	SIT	2.CKL.E09660.221
230	42	5.95	45.4	8	250	119 / 86.5	SIT	2.CKL.E09660.223
230	48	5.21	51.8	8	250	119 / 86.5	SIT	2.CKL.E09660.225
230	42, 48	5.21	45.4, 51.8	8	250	119 / 86.5	SIT	2.CKL.E09660.240
230	115	2.17	124	8	250	119 / 86.5	IT	2.CKL.E09660.260
230	230	1.09	248	8	250	119 / 86.5	IT	2.CKL.E09660.270
230	400	0.63	432	8	250	119 / 86.5	IT	2.CKL.E09660.280
400	12	20.8	13.0	8	250	119 / 86.5	SIT	2.CKL.E09660.409
400	2 x 12	10.4	2 x 13.0	8	250	119 / 86.5	SIT	2.CKL.E09660.410
400	21	11.9	22.7	8	250	119 / 86.5	SIT	2.CKL.E09660.415
400	24	10.4	25.9	8	250	119 / 86.5	SIT	2.CKL.E09660.417
400	2 x 24	5.21	2 x 25.9	8	250	119 / 86.5	SIT	2.CKL.E09660.418
400	36	6.94	38.9	8	250	119 / 86.5	SIT	2.CKL.E09660.421
400	42	5.95	45.4	8	250	119 / 86.5	SIT	2.CKL.E09660.423
400	48	5.21	51.8	8	250	119 / 86.5	SIT	2.CKL.E09660.425
400	42, 48	5.21	45.4, 51.8	8	250	119 / 86.5	SIT	2.CKL.E09660.440
400	115	2.17	124	8	250	119 / 86.5	IT	2.CKL.E09660.460
400	230	1.09	248	8	250	119 / 86.5	IT	2.CKL.E09660.470
400	400	0.63	432	8	250	119 / 86.5	IT	2.CKL.E09660.480

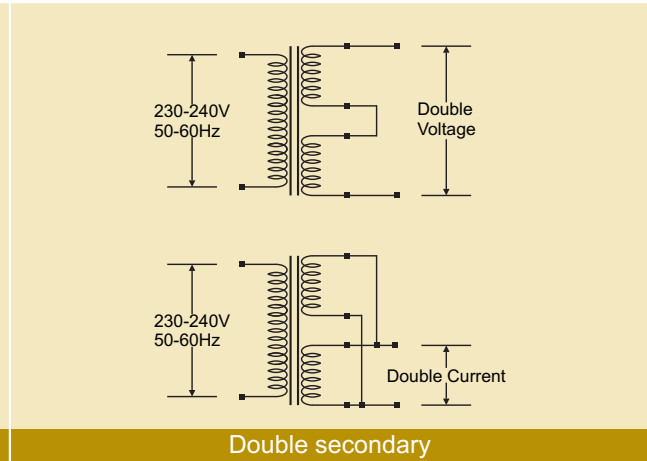
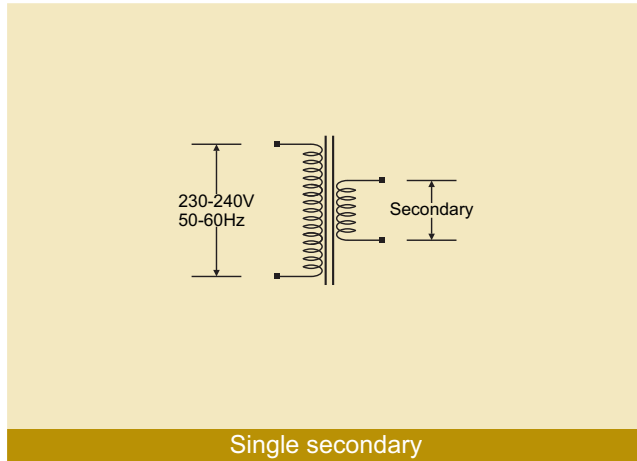
\* See Mechanical Data

# 2.CKL SERIES

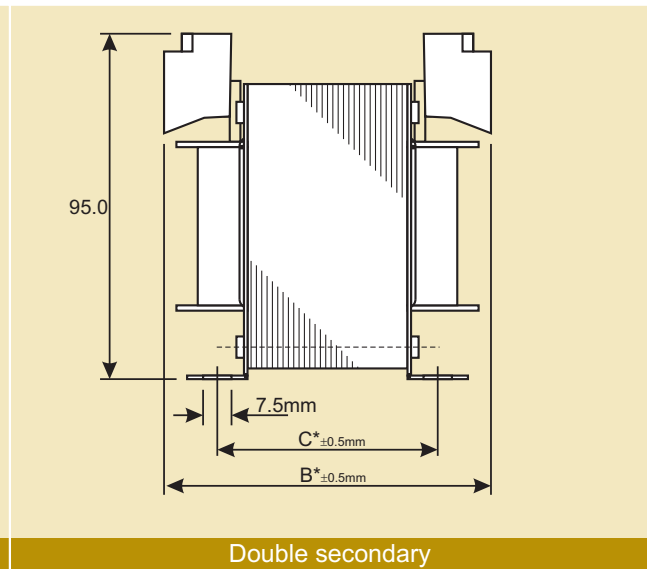
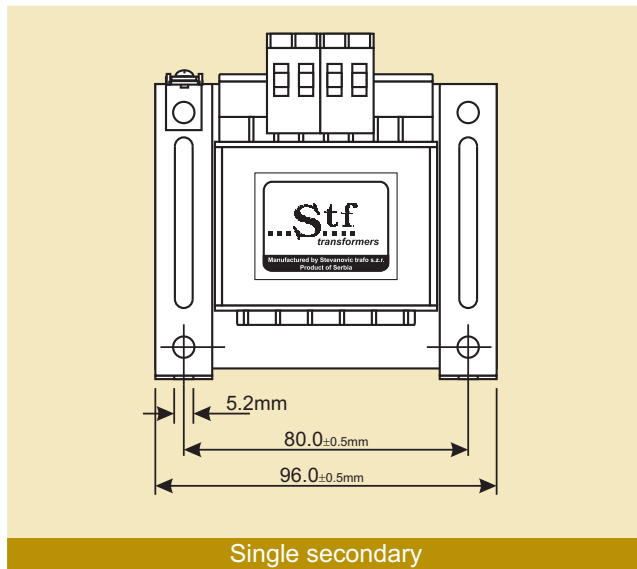
## L Brackets Mounting Dry Type Power Transformer

## EI96/60

### Possible Connection Types:



### Mechanical Data:



\*Transformer width is given in table with Electrical Data

### Types available on request:

Primary Voltage	Secondary Voltage			Voltage Drop	Rated Power	Width*	Safety Isolating / Isolating transformers	9.xxx Series
	With Load		No Load					
[V]	[V]	@ [A]	[V]	[%]	[VA]	B / C[mm]	[SIT / IT]	Order code
<600			<400	10	150	92 / 61.5	IT	9.xxx.E09635.xxx
<600			<400	10	180	104 / 71.5	IT	9.xxx.E09645.xxx
<600			<400	8	200	109 / 76.5	IT	9.xxx.E09650.xxx
<600			<400	8	250	119 / 86.5	IT	9.xxx.E09660.xxx

\*See Mechanical Data