

2.CKL SERIES

L Brackets Mounting Dry Type Power Transformer

EI96/35

2.CKL Series



- Rated power: 150VA
- Safety Isolating & Isolating Transformers
- Non-short-circuit proof
- Ambient temperature 40°C
- Temperature Class B
- Self-extinguishing plastics UL94HB
- Degree of protection IP00
- Clamp Terminals for Currents up to 60A
- Moisture protected by varnish
- High electrical safety and long service-life features
- In compliance with: EN61558-1, EN61558-2-4, EN61558-2-6
- Weight: 2280 g

Approvals:



Electrical Data:

Primary Voltage	Secondary Voltage			Voltage Drop	Rated Power	Width*	Safety Isolating / Isolating transformers	2.CKL Series
	With Load		No Load					
[V]	[V]	@ [A]	[V]	[%]	[VA]	B / C[mm]	[SIT / IT]	Order code
230	12	12.5	13.2	10	150	92 / 61.5	SIT	2.CKL.E09635.209
230	2 x 12	6.25	2 x 13.2	10	150	92 / 61.5	SIT	2.CKL.E09635.210
230	21	7.14	23.1	10	150	92 / 61.5	SIT	2.CKL.E09635.215
230	24	6.25	26.4	10	150	92 / 61.5	SIT	2.CKL.E09635.217
230	2 x 24	3.13	2 x 26.4	10	150	92 / 61.5	SIT	2.CKL.E09635.218
230	36	4.17	39.6	10	150	92 / 61.5	SIT	2.CKL.E09635.221
230	42	3.57	46.2	10	150	92 / 61.5	SIT	2.CKL.E09635.223
230	48	3.13	52.8	10	150	92 / 61.5	SIT	2.CKL.E09635.225
230	42, 48	3.13	46.2, 52.8	10	150	92 / 61.5	SIT	2.CKL.E09635.240
230	115	1.30	127	10	150	92 / 61.5	IT	2.CKL.E09635.260
230	230	0.65	253	10	150	92 / 61.5	IT	2.CKL.E09635.270
230	400	0.38	440	10	150	92 / 61.5	IT	2.CKL.E09635.280
400	12	12.5	13.2	10	150	92 / 61.5	SIT	2.CKL.E09635.409
400	2 x 12	6.25	2 x 13.2	10	150	92 / 61.5	SIT	2.CKL.E09635.410
400	21	7.14	23.1	10	150	92 / 61.5	SIT	2.CKL.E09635.415
400	24	6.25	26.4	10	150	92 / 61.5	SIT	2.CKL.E09635.417
400	2 x 24	3.13	2 x 26.4	10	150	92 / 61.5	SIT	2.CKL.E09635.418
400	36	4.17	39.6	10	150	92 / 61.5	SIT	2.CKL.E09635.421
400	42	3.57	46.2	10	150	92 / 61.5	SIT	2.CKL.E09635.423
400	48	3.13	52.8	10	150	92 / 61.5	SIT	2.CKL.E09635.425
400	42, 48	3.13	46.2, 52.8	10	150	92 / 61.5	SIT	2.CKL.E09635.440
400	115	1.30	127	10	150	92 / 61.5	IT	2.CKL.E09635.460
400	230	0.65	253	10	150	92 / 61.5	IT	2.CKL.E09635.470
400	400	0.38	440	10	150	92 / 61.5	IT	2.CKL.E09635.480

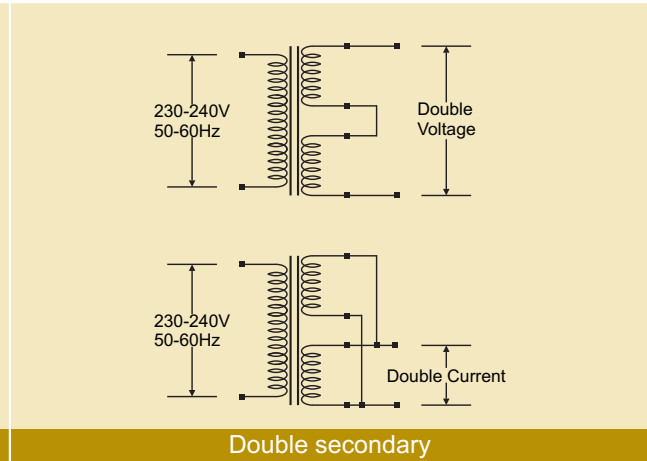
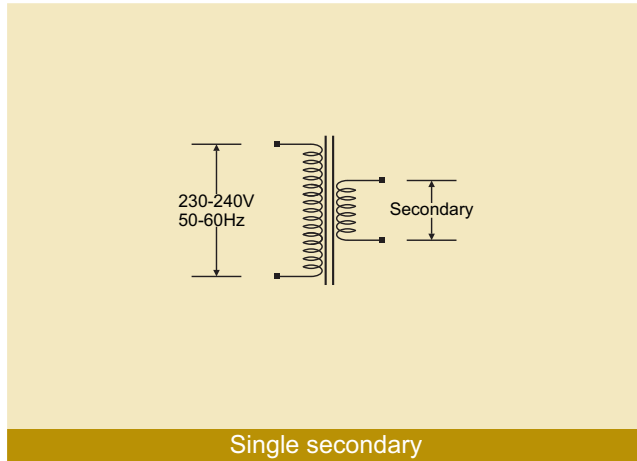
* See Mechanical Data

2.CKL SERIES

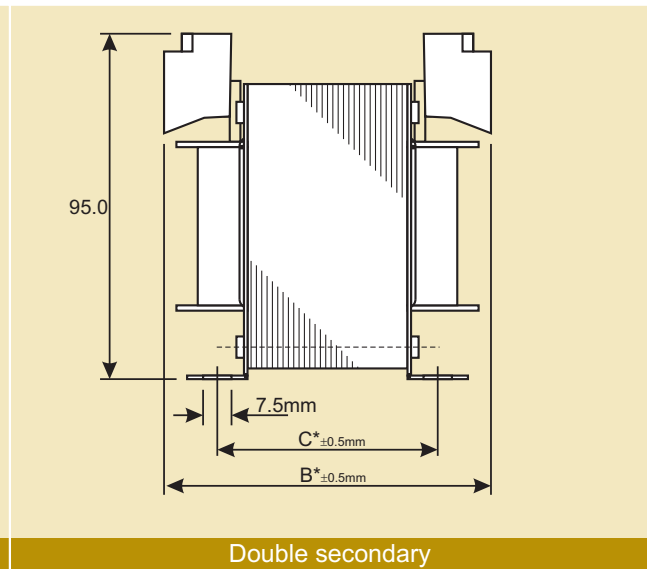
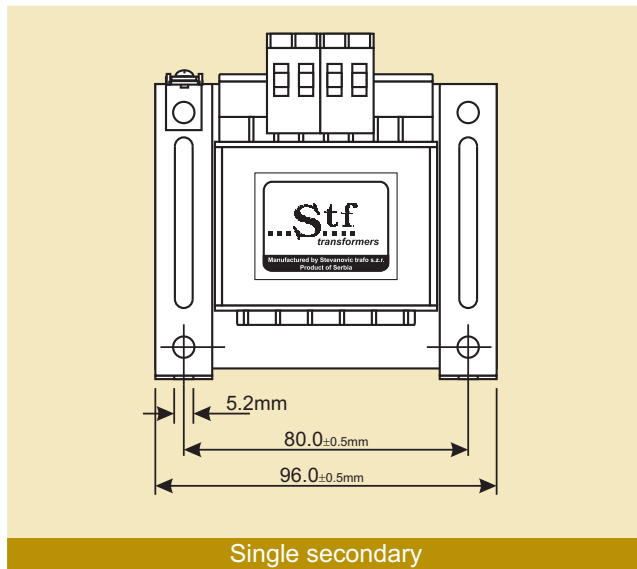
L Brackets Mounting Dry Type Power Transformer

EI96/35

Possible Connection Types:



Mechanical Data:



*Transformer width is given in table with Electrical Data

Types available on request:

Primary Voltage	Secondary Voltage			Voltage Drop	Rated Power	Width*	Safety Isolating / Isolating transformers	9.xxx Series
	With Load		No Load					
[V]	[V]	@ [A]	[V]	[%]	[VA]	B / C[mm]	[SIT / IT]	Order code
<600			<400	10	150	92 / 61.5	IT	9.xxx.E09635.xxx
<600			<400	10	180	104 / 71.5	IT	9.xxx.E09645.xxx
<600			<400	8	200	109 / 76.5	IT	9.xxx.E09650.xxx
<600			<400	8	250	119 / 86.5	IT	9.xxx.E09660.xxx

*See Mechanical Data