

# 2.CKL SERIES

## L Brackets Mounting Dry Type Power Transformer

EI75/32

2.CKL Series



- Rated power: 63VA
- Safety Isolating & Isolating Transformers
- Non-short-circuit proof
- Ambient temperature 40°C
- Temperature Class B
- Self-extinguishing plastics UL94HB
- Degree of protection IP00
- Clamp Terminals for Currents up to 60A
- Moisture protected by varnish
- High electrical safety and long service-life features
- In compliance with: EN61558-1, EN61558-2-4, EN61558-2-6
- Weight: 1200 g

### Approvals:



### Electrical Data:

Primary Voltage	Secondary Voltage			Voltage Drop	Rated Power	Width*	Safety Isolating / Isolating transformers	2.CKL Series
	With Load		No Load					
[V]	[V]	@ [A]	[V]	[%]	[VA]	B / C[mm]	[SIT / IT]	Order code
230	12	5.25	13.2	10	63	88 / 57.0	SIT	2.CKL.E07532.209
230	2 x 12	2.63	2 x 13.2	10	63	88 / 57.0	SIT	2.CKL.E07532.210
230	21	3.00	23.1	10	63	88 / 57.0	SIT	2.CKL.E07532.215
230	24	2.63	26.4	10	63	88 / 57.0	SIT	2.CKL.E07532.217
230	2 x 24	1.31	2 x 26.4	10	63	88 / 57.0	SIT	2.CKL.E07532.218
230	36	1.75	39.6	10	63	88 / 57.0	SIT	2.CKL.E07532.221
230	42	1.50	46.2	10	63	88 / 57.0	SIT	2.CKL.E07532.223
230	48	1.31	52.8	10	63	88 / 57.0	SIT	2.CKL.E07532.225
230	42, 48	1.31	46.2, 52.8	10	63	88 / 57.0	SIT	2.CKL.E07532.240
230	115	0.55	127	10	63	88 / 57.0	IT	2.CKL.E07532.260
230	230	0.27	253	10	63	88 / 57.0	IT	2.CKL.E07532.270
230	400	0.16	440	10	63	88 / 57.0	IT	2.CKL.E07532.280
400	12	5.25	13.2	10	63	88 / 57.0	SIT	2.CKL.E07532.409
400	2 x 12	2.63	2 x 13.2	10	63	88 / 57.0	SIT	2.CKL.E07532.410
400	21	3.00	23.1	10	63	88 / 57.0	SIT	2.CKL.E07532.415
400	24	2.63	26.4	10	63	88 / 57.0	SIT	2.CKL.E07532.417
400	2 x 24	1.31	2 x 26.4	10	63	88 / 57.0	SIT	2.CKL.E07532.418
400	36	1.75	39.6	10	63	88 / 57.0	SIT	2.CKL.E07532.421
400	42	1.50	46.2	10	63	88 / 57.0	SIT	2.CKL.E07532.423
400	48	1.31	52.8	10	63	88 / 57.0	SIT	2.CKL.E07532.425
400	42, 48	1.31	46.2, 52.8	10	63	88 / 57.0	SIT	2.CKL.E07532.440
400	115	0.55	127	10	63	88 / 57.0	IT	2.CKL.E07532.460
400	230	0.27	253	10	63	88 / 57.0	IT	2.CKL.E07532.470
400	400	0.16	440	10	63	88 / 57.0	IT	2.CKL.E07532.480

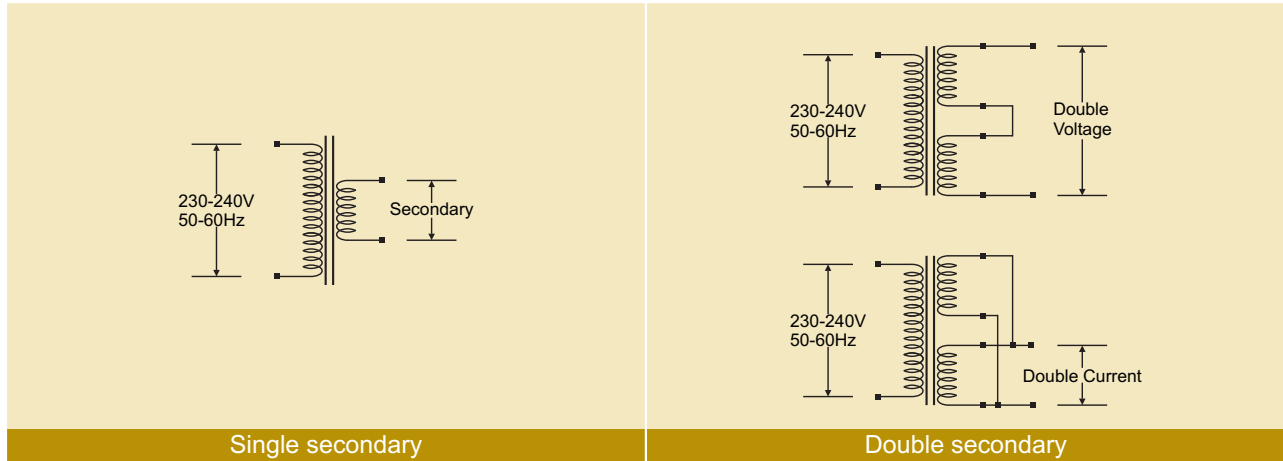
\* See Mechanical Data

# 2.CKL SERIES

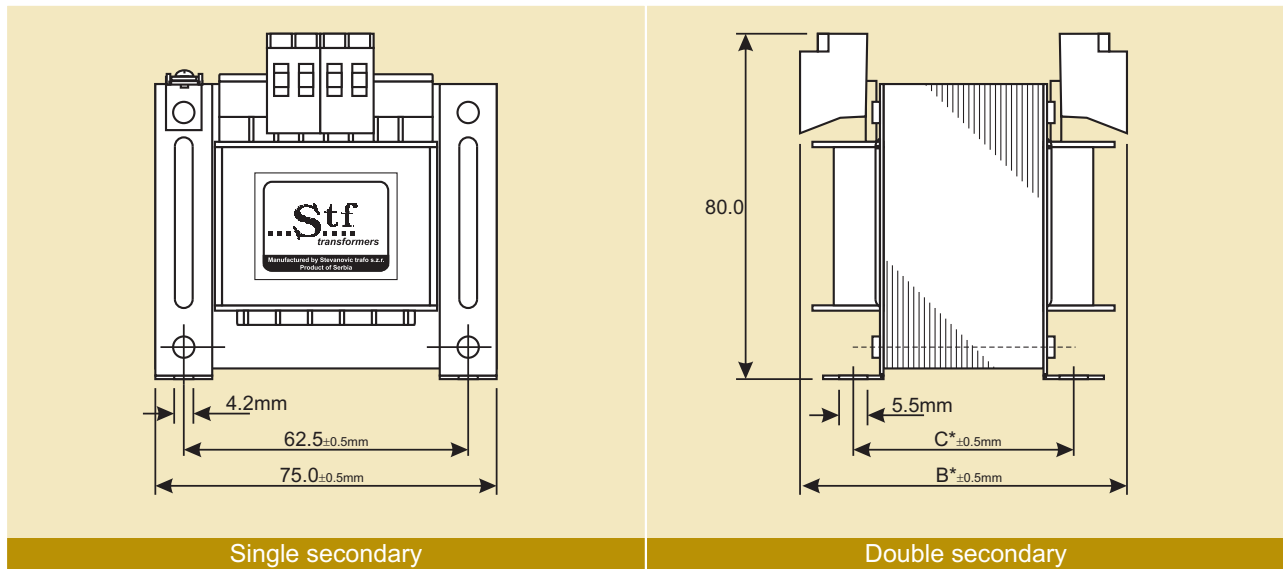
## L Brackets Mounting Dry Type Power Transformer

## EI75/32

### Possible Connection Types:



### Mechanical Data:



\*Transformer width is given in table with Electrical Data

### Types available on request:

Primary Voltage	Secondary Voltage			Voltage Drop	Rated Power	Width*	Safety Isolating / Isolating transformers	9.xxx Series
	With Load		No Load					
[V]	[V]	@ [A]	[V]	[%]	[VA]	B / C[mm]	[SIT / IT]	Order code
<600			<400	12	50	82 / 51.0	IT	9.xxx.E07526.xxx
<600			<400	10	63	88 / 57.0	IT	9.xxx.E07532.xxx
<600			<400	10	75	91 / 60.0	IT	9.xxx.E07535.xxx
<600			<400	10	85	97 / 66.0	IT	9.xxx.E07541.xxx

\*See Mechanical Data