

# 2.CKL SERIES

## L Brackets Mounting Dry Type Power Transformer

### EI84/41

2.CKL Series



- Rated power: 100VA
- Safety Isolating & Isolating Transformers
- Non-short-circuit proof
- Ambient temperature 40°C
- Temperature Class B
- Self-extinguishing plastics UL94HB
- Degree of protection IP00
- Clamp Terminals for Currents up to 60A
- Moisture protected by varnish
- High electrical safety and long service-life features
- In compliance with: EN61558-1, EN61558-2-4, EN61558-2-6
- Weight: 1860 g

### Approvals:



### Electrical Data:

Primary Voltage	Secondary Voltage			Voltage Drop	Rated Power	Width*	Safety Isolating / Isolating transformers	2.CKL Series
	With Load		No Load					
[V]	[V]	@ [A]	[V]	[%]	[VA]	B / C[mm]	[SIT / IT]	Order code
230	12	8.33	13.2	10	100	97 / 65.5	SIT	2.CKL.E08441.209
230	2 x 12	4.17	2 x 13.2	10	100	97 / 65.5	SIT	2.CKL.E08441.210
230	21	4.76	23.1	10	100	97 / 65.5	SIT	2.CKL.E08441.215
230	24	4.17	26.4	10	100	97 / 65.5	SIT	2.CKL.E08441.217
230	2 x 24	2.08	2 x 26.4	10	100	97 / 65.5	SIT	2.CKL.E08441.218
230	36	2.78	39.6	10	100	97 / 65.5	SIT	2.CKL.E08441.221
230	42	2.38	46.2	10	100	97 / 65.5	SIT	2.CKL.E08441.223
230	48	2.08	52.8	10	100	97 / 65.5	SIT	2.CKL.E08441.225
230	42, 48	20.8	46.2, 52.8	10	100	97 / 65.5	SIT	2.CKL.E08441.240
230	115	0.87	127	10	100	97 / 65.5	IT	2.CKL.E08441.260
230	230	0.43	253	10	100	97 / 65.5	IT	2.CKL.E08441.270
230	400	0.25	440	10	100	97 / 65.5	IT	2.CKL.E08441.280
400	12	8.33	13.2	10	100	97 / 65.5	SIT	2.CKL.E08441.409
400	2 x 12	4.17	2 x 13.2	10	100	97 / 65.5	SIT	2.CKL.E08441.410
400	21	4.76	23.1	10	100	97 / 65.5	SIT	2.CKL.E08441.415
400	24	4.17	26.4	10	100	97 / 65.5	SIT	2.CKL.E08441.417
400	2 x 24	2.08	2 x 26.4	10	100	97 / 65.5	SIT	2.CKL.E08441.418
400	36	2.78	39.6	10	100	97 / 65.5	SIT	2.CKL.E08441.421
400	42	2.38	46.2	10	100	97 / 65.5	SIT	2.CKL.E08441.423
400	48	2.08	52.8	10	100	97 / 65.5	SIT	2.CKL.E08441.425
400	42, 48	20.8	46.2, 52.8	10	100	97 / 65.5	SIT	2.CKL.E08441.440
400	115	0.87	127	10	100	97 / 65.5	IT	2.CKL.E08441.460
400	230	0.43	253	10	100	97 / 65.5	IT	2.CKL.E08441.470
400	400	0.25	440	10	100	97 / 65.5	IT	2.CKL.E08441.480

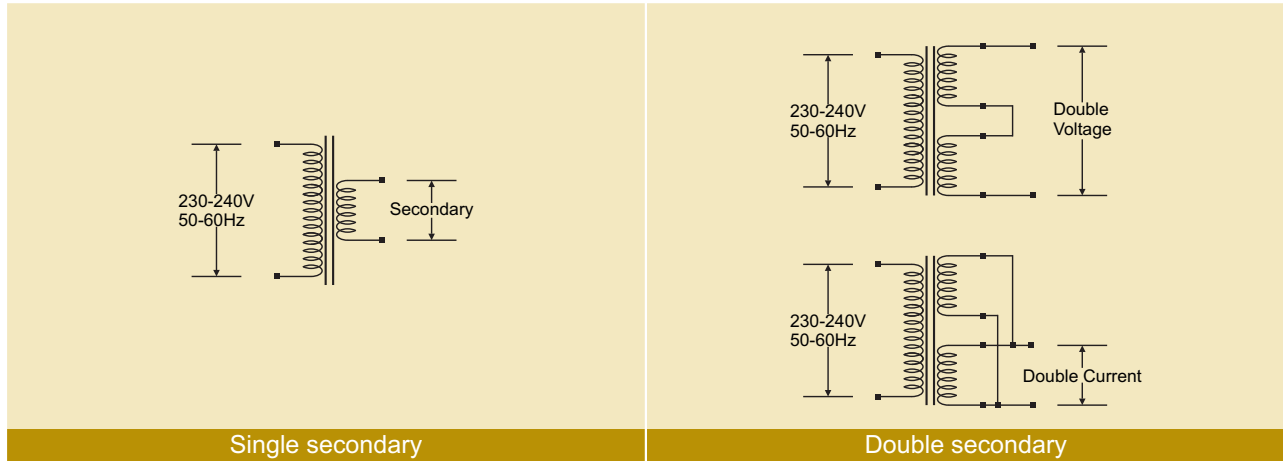
\* See Mechanical Data

# 2.CKL SERIES

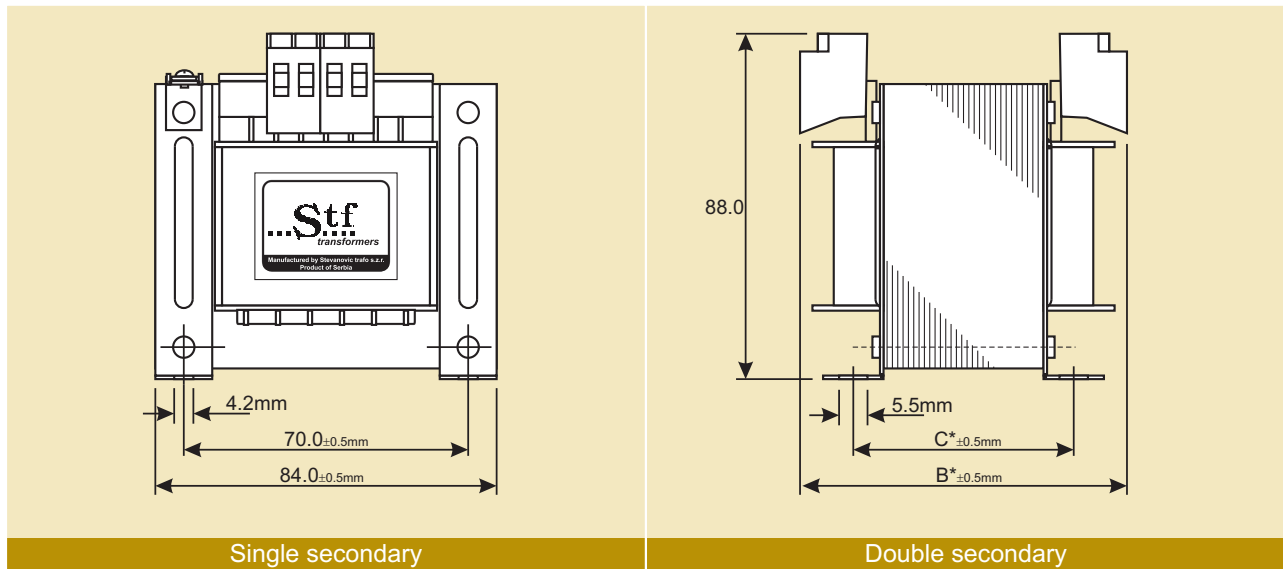
## L Brackets Mounting Dry Type Power Transformer

### EI84/41

#### Possible Connection Types:



#### Mechanical Data:



\*Transformer width is given in table with Electrical Data

#### Types available on request:

Primary Voltage	Secondary Voltage			Voltage Drop	Rated Power	Width*	Safety Isolating / Isolating transformers	9.xxx Series
	With Load		No Load					
[V]	[V]	@ [A]	[V]	[%]	[VA]	B / C[mm]	[SIT / IT]	Order code
<600			<400	10	80	85 / 53.5	IT	9.xxx.E08429.xxx
<600			<400	10	90	94 / 62.5	IT	9.xxx.E08438.xxx
<600			<400	10	100	97 / 65.5	IT	9.xxx.E08441.xxx

\*See Mechanical Data