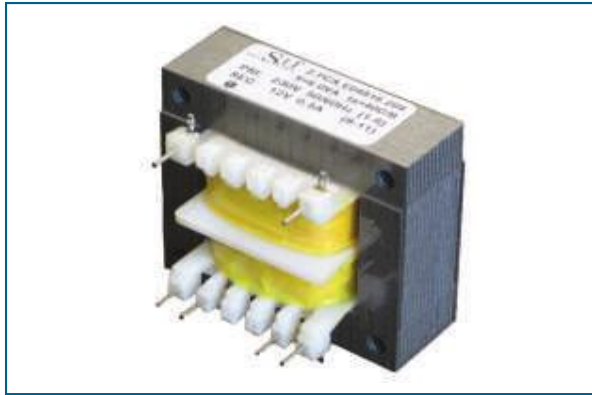


# 2.ASX SERIES

## PCB-Mounting Dry Type Power Transformer

### EI48/16

2.ASX Series



- Rated power: 6VA
- Non short-circuit proof safety isolating transformer
- Two compartments bobbin
- Protection: Class II transformer
- Ambient temperature 40°C
- Temperature Class B
- Self-extinguishing plastics UL94HB
- Degree of protection IP00
- Moisture protected by varnish
- High electrical safety and long service-life features
- In compliance with: EN61558-1, EN61558-2-6
- Weight: 230g

### Approvals:



### Electrical Data:

Primary Voltage	Secondary Voltage			Voltage Drop	Rated Power	Height*	Pin	2.ASX Series
	With Load		No Load					
[V]	[V]	@ [A]	[V]	[%]	[VA]	H* [mm]	[Prim / Sec]	Order code
230	6	1.000	7.2	20	6	34.1	1-6/8-11	2.ASX.E04816.203
230	2 x 6	0.500	2 x 7.2	20	6	34.1	1-6/7-8;11-12	2.ASX.E04816.204
230	7.5	0.800	9.0	20	6	34.1	1-6/8-11	2.ASX.E04816.205
230	2 x 7.5	0.400	2 x 9.0	20	6	34.1	1-6/7-8;11-12	2.ASX.E04816.206
230	9	0.667	10.8	20	6	34.1	1-6/8-11	2.ASX.E04816.207
230	2 x 9	0.333	2 x 10.8	20	6	34.1	1-6/7-8;11-12	2.ASX.E04816.208
230	12	0.500	14.4	20	6	34.1	1-6/8-11	2.ASX.E04816.209
230	2 x 12	0.250	2 x 14.4	20	6	34.1	1-6/7-8;11-12	2.ASX.E04816.210
230	15	0.400	18.0	20	6	34.1	1-6/8-11	2.ASX.E04816.211
230	2 x 15	0.200	2 x 18.0	20	6	34.1	1-6/7-8;11-12	2.ASX.E04816.212
230	18	0.333	21.6	20	6	34.1	1-6/8-11	2.ASX.E04816.213
230	2 x 18	0.167	2 x 21.6	20	6	34.1	1-6/7-8;11-12	2.ASX.E04816.214
230	21	0.286	25.2	20	6	34.1	1-6/8-11	2.ASX.E04816.215
230	2 x 21	0.143	2 x 25.2	20	6	34.1	1-6/7-8;11-12	2.ASX.E04816.216

\* See Mechanical Data

### Types available on request:

Primary Voltage	Secondary Voltage			Voltage Drop	Rated Power	Height*	Pin	9.xxx Series
	With Load		No Load					
[V]	[V]	@ [mA]	[V]	[%]	[VA]	H* [mm]	[Prim / Sec]	Order code
<600			<400	20	6	34.1	1, 6 / 7, 8, 11, 12	9.xxx.E04816.xxx
<600			<400	20	9	37.8	1, 6 / 7, 8, 11, 12	9.xxx.E04820.xxx
<600			<400	20	12	42.8	1, 6 / 7, 8, 11, 12	9.xxx.E04825.xxx

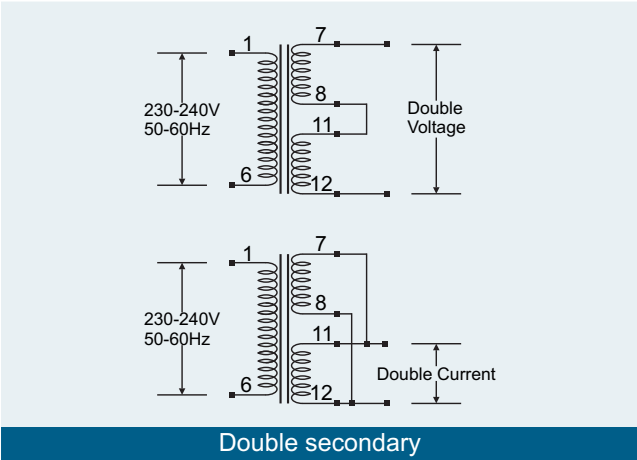
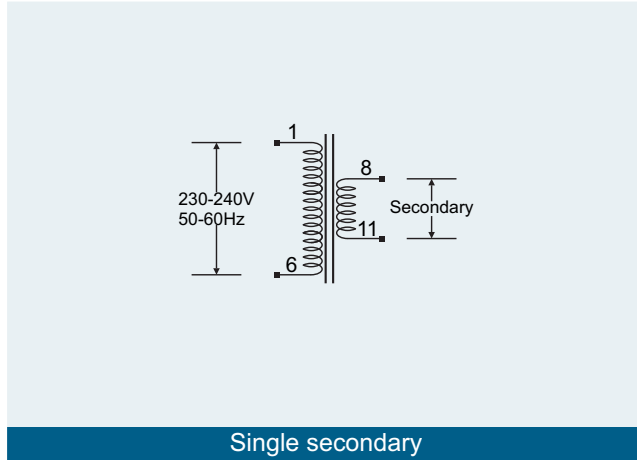
\* See Mechanical Data

# 2.ASX SERIES

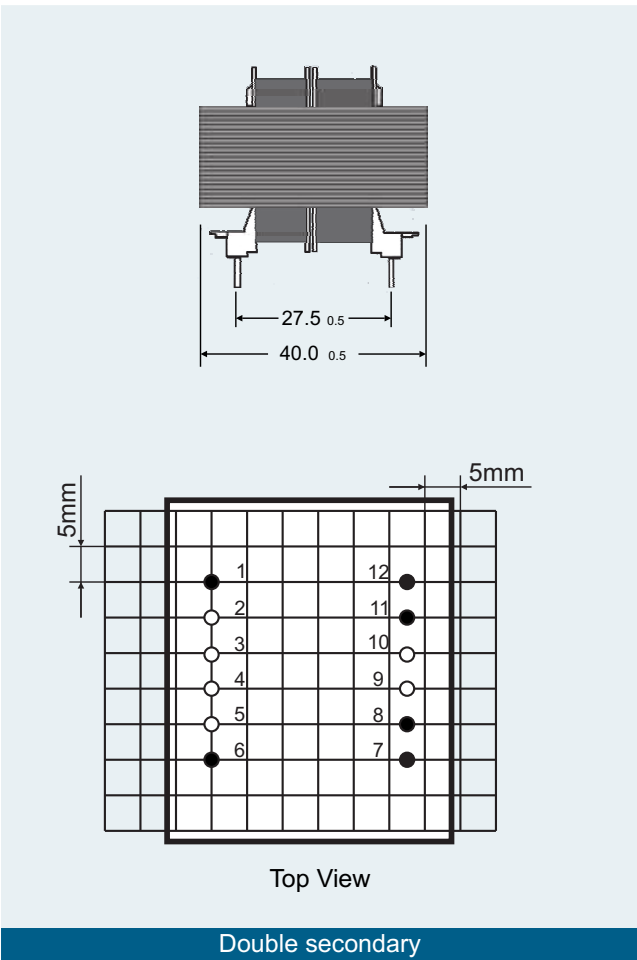
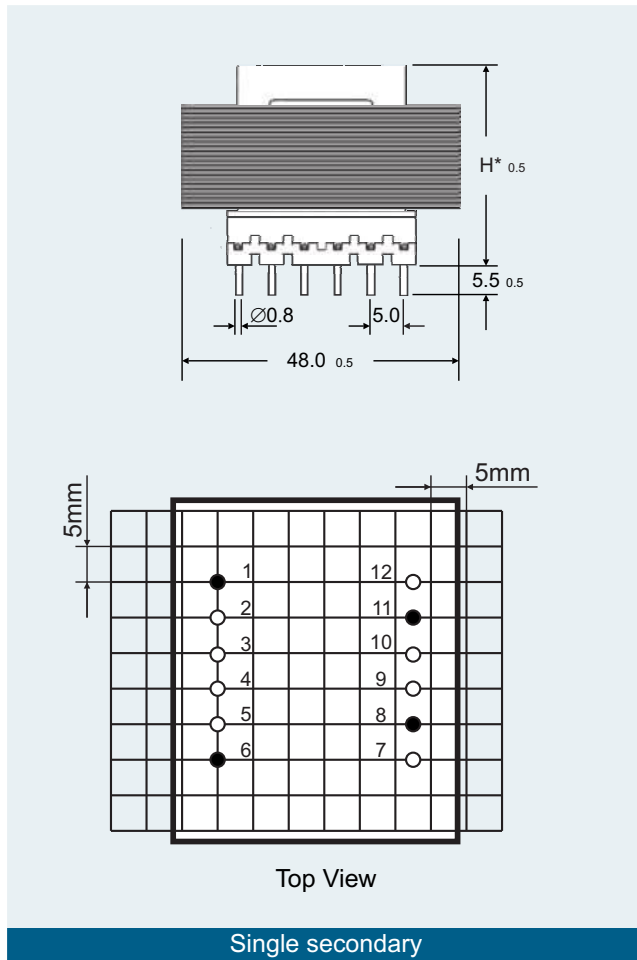
## PCB-Mounting Dry Type Power Transformer

EI48/16

### Possible Connection Types:



### Mechanical Data:



\*Transformer height is given in table with Electrical Data