

# 2.ASX SERIES

## PCB-Mounting Dry Type Power Transformer



- Rated power: 1.5VA
- Non short-circuit proof safety isolating transformer
- Two compartments bobbin
- Protection: Class II transformer
- Ambient temperature 40°C
- Temperature Class B
- Self-extinguishing plastics UL94HB
- Degree of protection IP00
- Moisture protected by varnish
- High electrical safety and long service-life features
- In compliance with: EN61558-1, EN61558-2-6
- Weight: 85g

### Approvals:



### Electrical Data:

Primary Voltage	Secondary Voltage			Voltage Drop	Rated Power	Height*	Pin	2.ASX Series
	With Load		No Load					
[V]	[V]	@ [A]	[V]	[%]	[VA]	H* [mm]	[Prim / Sec]	Order code
230	6	0.250	8.4	40	1.5	25	1-5/7-9	2.ASX.E03015.203
230	2 x 6	0.125	2 x 8.4	40	1.5	25	1-5/6-7;9-10	2.ASX.E03015.204
230	7.5	0.200	10.5	40	1.5	25	1-5/7-9	2.ASX.E03015.205
230	2 x 7.5	0.100	2 x 10.5	40	1.5	25	1-5/6-7;9-10	2.ASX.E03015.206
230	9	0.167	12.6	40	1.5	25	1-5/7-9	2.ASX.E03015.207
230	2 x 9	0.083	2 x 12.6	40	1.5	25	1-5/6-7;9-10	2.ASX.E03015.208
230	12	0.125	16.8	40	1.5	25	1-5/7-9	2.ASX.E03015.209
230	2 x 12	0.063	2 x 16.8	40	1.5	25	1-5/6-7;9-10	2.ASX.E03015.210
230	15	0.100	21.0	40	1.5	25	1-5/7-9	2.ASX.E03015.211
230	2 x 15	0.050	2 x 21.0	40	1.5	25	1-5/6-7;9-10	2.ASX.E03015.212
230	18	0.083	25.2	40	1.5	25	1-5/7-9	2.ASX.E03015.213
230	2 x 18	0.042	2 x 25.2	40	1.5	25	1-5/6-7;9-10	2.ASX.E03015.214
230	21	0.071	29.4	40	1.5	25	1-5/7-9	2.ASX.E03015.215
230	2 x 21	0.036	2 x 29.4	40	1.5	25	1-5/6-7;9-10	2.ASX.E03015.216

\* See Mechanical Data

### Types available on request:

Primary Voltage	Secondary Voltage			Voltage Drop	Rated Power	Height*	Pin	9.xxx Series
	With Load		No Load					
[V]	[V]	@ [mA]	[V]	[%]	[VA]	H* [mm]	[Prim / Sec]	Order code
<600			<400	40	0.4	14	1, 5 / 6, 7, 9, 10	9.xxx.E03005.xxx
<600			<400	40	1.0	20	1, 5 / 6, 7, 9, 10	9.xxx.E03010.xxx
<600			<400	40	1.2	22	1, 5 / 6, 7, 9, 10	9.xxx.E03012.xxx
<600			<400	40	1.5	25	1, 5 / 6, 7, 9, 10	9.xxx.E03015.xxx
<600			<400	40	1.8	27.5	1, 5 / 6, 7, 9, 10	9.xxx.E03018.xxx
<600			<400	40	2.0	32.5	1, 5 / 6, 7, 8, 9	9.xxx.E03023.xxx

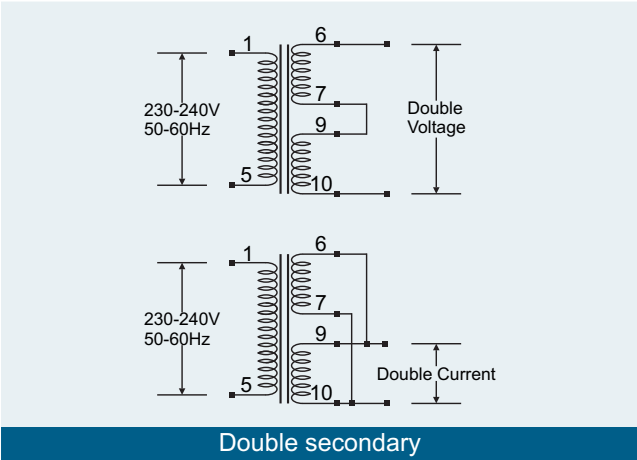
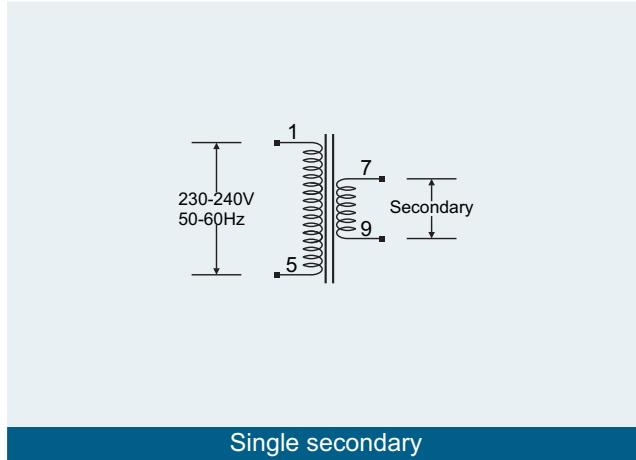
\* See Mechanical Data

# 2.ASX SERIES

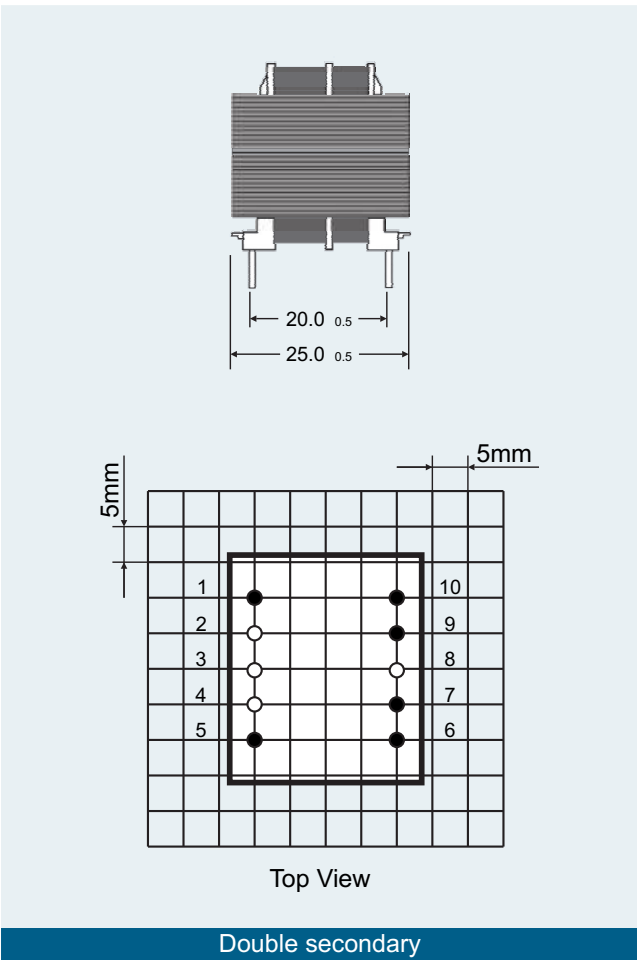
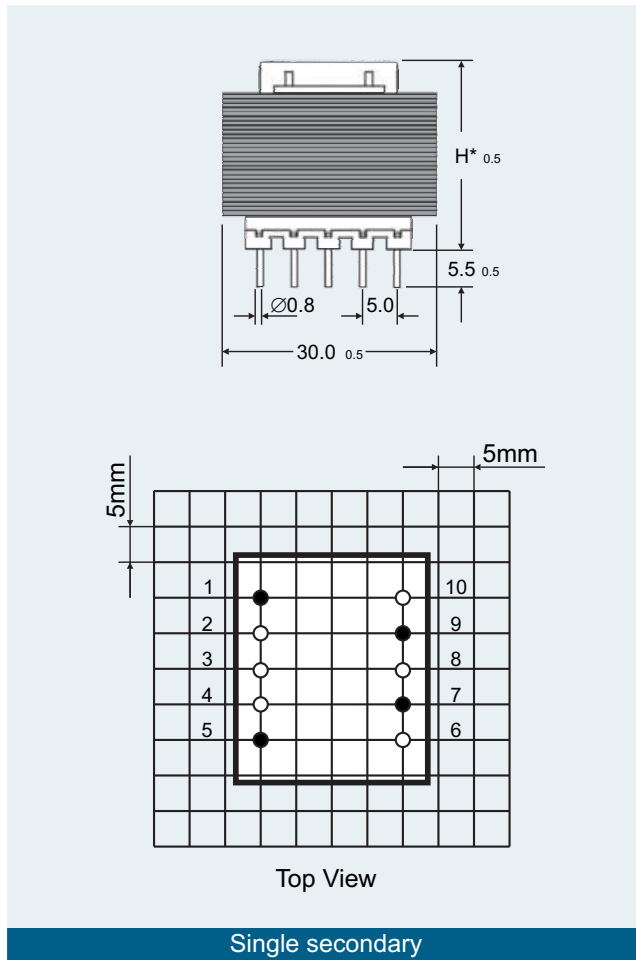
## PCB-Mounting Dry Type Power Transformer

EI30/15

### Possible Connection Types:



### Mechanical Data:



\*Transformer height is given in table with Electrical Data