

## RATED PRIMARY VOLTAGE [V]

This is the supply voltage assigned to the transformer by the manufacturer for the specified operating conditions of the transformer.

## RATED SECONDARY VOLTAGE [V]

This is the output voltage assigned to the transformer when supplied with the rated primary voltage, frequency range, rated output current, at rated power factor, all assigned by the manufacturer for the specified operating conditions of the transformer.

## RATED SECONDARY CURRENT [A]

This is the output current at rated primary voltage and rated frequency, assigned to the transformer by the manufacturer for the specified operating conditions of the transformer

## NO-LOAD SECONDARY VOLTAGE [V]

This is theoretical maximum of the output voltage when the transformer is connected to rated supply voltage at rated frequency, with no load on the output.

## RATED FREQUENCY [Hz]

The frequency assigned to the transformer by the manufacturer for the specified operating conditions of the transformer.

## RATED POWER [VA]

The specified power levels in this catalogue are the secondary power levels, which means that, they are available when the transformer is loaded. It is the product of the RMS rated secondary voltage and the RMS rated current. If the transformer has more than one output winding, the rated power is defined for rated ambient temperature conditions.

Example: P=4.5VA, ta 40/B

This means that the transformer can deliver 4.5VA at maximum ambient of 40°C. The load consisting of a resistor is defined by:

$$R(\text{load})=U(\text{sec})^2/P$$

and maximum heating of the transformer does not exceed the relevant limit for Class B components used in this construction

NOTE: When the transformer is intended to supply DC voltage and current in conjunction with rectifiers and smoothing capacitors, the VA power required from the transformer is far higher than the U(DC) and I(DC) product. To help you to determine the true transformer power our Technical Department is at your disposal.

## AMBIENT TEMPERATURE (ta)

The maximum temperature at which the transformer may be operated continuously under nominal conditions of use. It is the air temperature measured close to the transformer after thermal stabilization when operating at rated conditions.

## HEATING (dT)

The increase of the winding temperature when operating at rated conditions and maximum ambient temperature. The heating must be determined by the resistance method.

## TEMPERATURE CLASS

The international classification of temperature classes is as follows

A	105°C	H	180°C
E	120°C	200	200°C
B	130°C	220	220°C
F	155°C	250	250°C

It defines the maximum temperature the transformer components must withstand in continuous operation, in compliance with the N° 85 IEC publication classification. There insulating materials are therefore certificated for the thermal index corresponding to the declared class in accordance with N° 216 IEC standard.

## CLASS I TRANSFORMER

A transformer in which protection against electric shock does not rely on basic insulation only, but which includes an additional safety precaution in such a way that means, such as an earthing terminal, are provided for the connection of accessible conductive parts to the protective earthing conductor in the fixed wiring of the installation, so that accessible conductive parts cannot become live in the event of a failure of the basic insulation.

NOTE Class I transformers may have parts with double or reinforced insulation.

## CLASS II TRANSFORMER

A transformer in which protection against electric shock does not rely on basic insulation only, but in which additional safety precautions such as double insulation or reinforced insulation are provided, there being no provision for protective earthing or reliance upon installation conditions.

## DEGREES OF POLLUTION

For the purpose of evaluating clearances and creepage distances the following degrees of pollution in the micro-environment are established.

POLLUTION DEGREE 1 (P1): No pollution or only dry, non-conductive pollution occurs. The pollution has no influence.

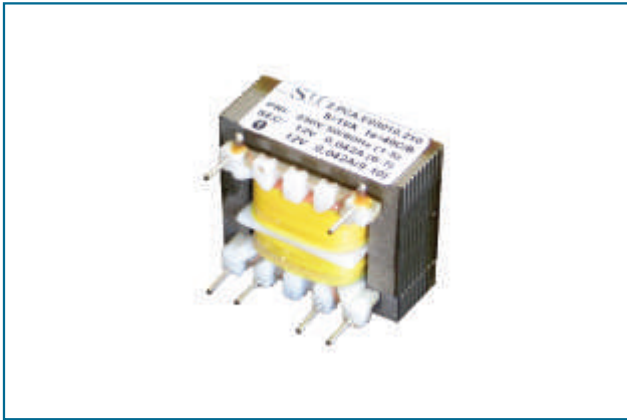
POLLUTION DEGREE 2 (P2): Only nonconductive pollution occurs, except that occasionally a temporary conductivity caused by condensation is to be expected.

NOTE Transformers having a reasonably tight enclosure are considered to have pollution degree 2 (P2), hermetic sealing is not required.

POLLUTION DEGREE 3 (P3): Conductive pollution occurs, or dry nonconductive pollution occurs which becomes conductive due to the condensation which is to be expected.

# 2.ASX SERIES

## PCB-Mounting Dry Type Power Transformer



- Rated power: 1VA
- Non short-circuit proof safety isolating transformer
- Two compartments bobbin
- Protection: Class II transformer
- Ambient temperature 40°C
- Temperature Class B
- Self-extinguishing plastics UL94HB
- Degree of protection IP00
- Moisture protected by varnish
- High electrical safety and long service-life features
- In compliance with: EN61558-1, EN61558-2-6
- Weight: 65g

### Approvals:



### Electrical Data:

Primary Voltage	Secondary Voltage			Voltage Drop	Rated Power	Height*	Pin	2.ASX Series
	With Load		No Load					
[V]	[V]	@ [A]	[V]	[%]	[VA]	H* [mm]	[Prim / Sec]	Order code
230	6	0.167	8.4	40	1	20	1-5/7-9	2.ASX.E03010.203
230	2 x 6	0.083	2 x 8.4	40	1	20	1-5/6-7;9-10	2.ASX.E03010.204
230	7.5	0.133	10.5	40	1	20	1-5/7-9	2.ASX.E03010.205
230	2 x 7.5	0.067	2 x 10.5	40	1	20	1-5/6-7;9-10	2.ASX.E03010.206
230	9	0.111	12.6	40	1	20	1-5/7-9	2.ASX.E03010.207
230	2 x 9	0.056	2 x 12.6	40	1	20	1-5/6-7;9-10	2.ASX.E03010.208
230	12	0.083	16.8	40	1	20	1-5/7-9	2.ASX.E03010.209
230	2 x 12	0.042	2 x 16.8	40	1	20	1-5/6-7;9-10	2.ASX.E03010.210
230	15	0.067	21.0	40	1	20	1-5/7-9	2.ASX.E03010.211
230	2 x 15	0.033	2 x 21.0	40	1	20	1-5/6-7;9-10	2.ASX.E03010.212
230	18	0.056	25.2	40	1	20	1-5/7-9	2.ASX.E03010.213
230	2 x 18	0.028	2 x 25.2	40	1	20	1-5/6-7;9-10	2.ASX.E03010.214
230	21	0.048	29.4	40	1	20	1-5/7-9	2.ASX.E03010.215
230	2 x 21	0.024	2 x 29.4	40	1	20	1-5/6-7;9-10	2.ASX.E03010.216

\* See Mechanical Data

### Types available on request:

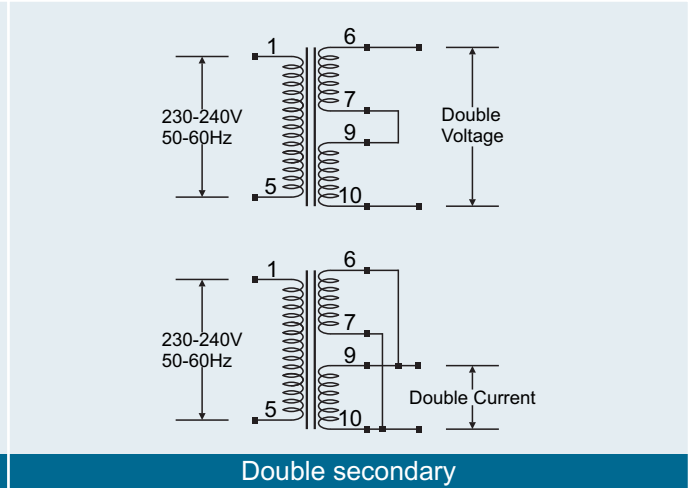
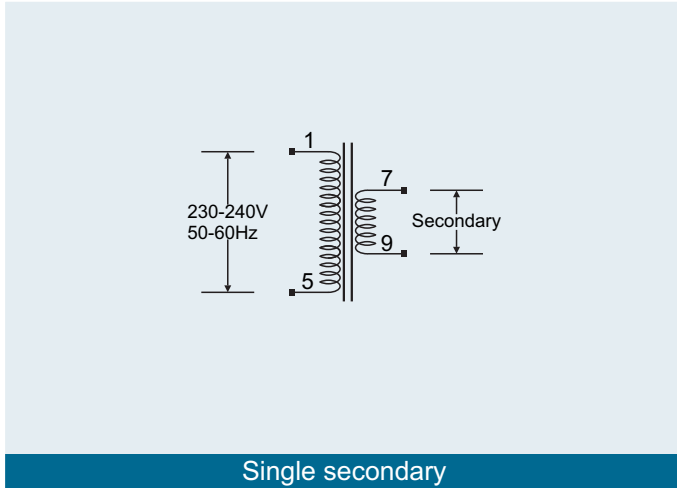
Primary Voltage	Secondary Voltage			Voltage Drop	Rated Power	Height*	Pin	9.xxx Series
	With Load		No Load					
[V]	[V]	@ [mA]	[V]	[%]	[VA]	H* [mm]	[Prim / Sec]	Order code
<600			<400	40	0.4	14	1, 5 / 6, 7, 9, 10	9.xxx.E03005.xxx
<600			<400	40	1.0	20	1, 5 / 6, 7, 9, 10	9.xxx.E03010.xxx
<600			<400	40	1.2	22	1, 5 / 6, 7, 9, 10	9.xxx.E03012.xxx
<600			<400	40	1.5	25	1, 5 / 6, 7, 9, 10	9.xxx.E03015.xxx
<600			<400	40	1.8	27.5	1, 5 / 6, 7, 9, 10	9.xxx.E03018.xxx
<600			<400	40	2.0	32.5	1, 5 / 6, 7, 8, 9	9.xxx.E03023.xxx

\* See Mechanical Data

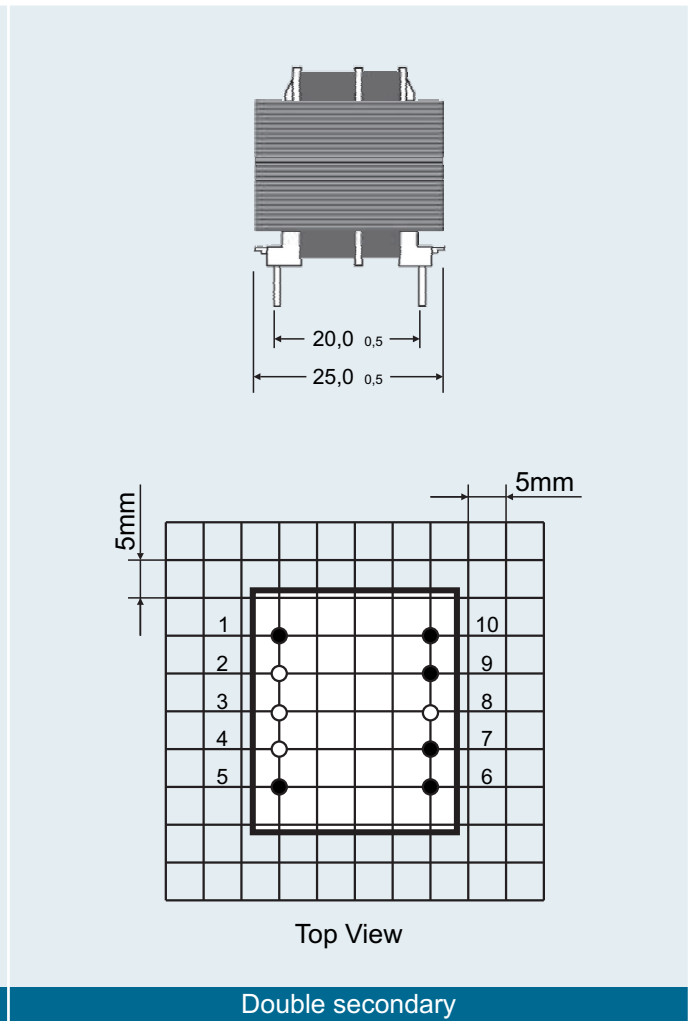
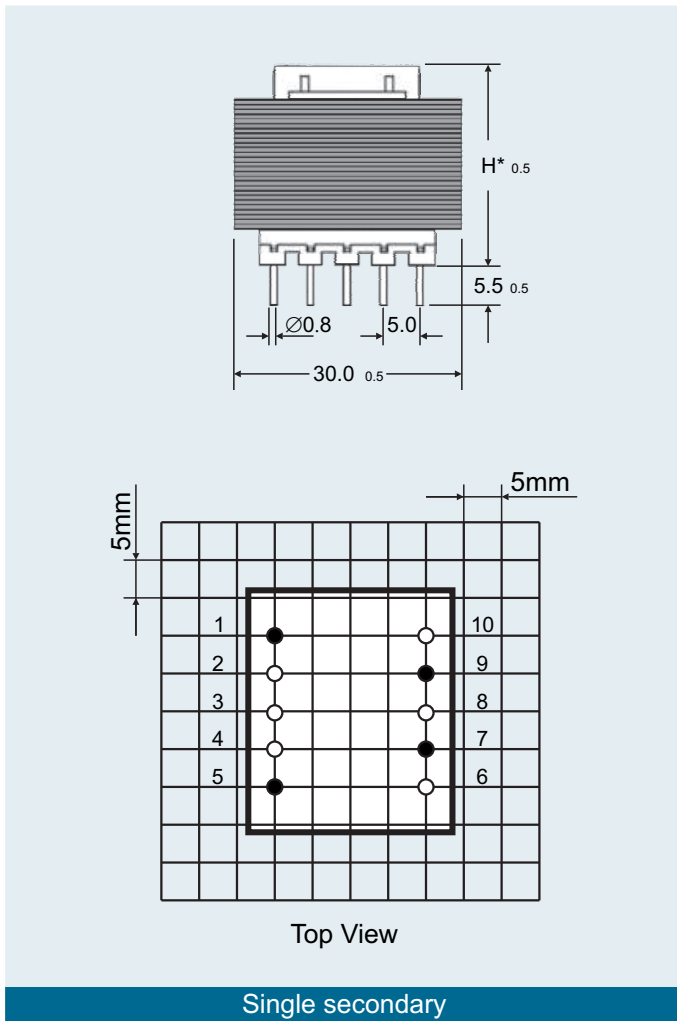
# 2.ASX SERIES

## PCB-Mounting Dry Type Power Transformer

#### Possible Connection Types:



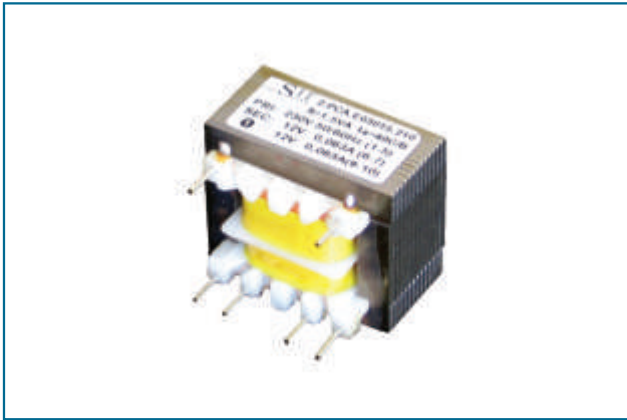
#### Mechanical Data:



\*Transformer height is given in table with Electrical Data

# 2.ASX SERIES

## PCB-Mounting Dry Type Power Transformer



- Rated power: 1.5VA
- Non short-circuit proof safety isolating transformer
- Two compartments bobbin
- Protection: Class II transformer
- Ambient temperature 40°C
- Temperature Class B
- Self-extinguishing plastics UL94HB
- Degree of protection IP00
- Moisture protected by varnish
- High electrical safety and long service-life features
- In compliance with: EN61558-1, EN61558-2-6
- Weight: 85g

### Approvals:



### Electrical Data:

Primary Voltage	Secondary Voltage			Voltage Drop	Rated Power	Height*	Pin	2.ASX Series
	With Load		No Load					
[V]	[V]	@ [A]	[V]	[%]	[VA]	H* [mm]	[Prim / Sec]	Order code
230	6	0.250	8.4	40	1.5	25	1-5/7-9	2.ASX.E03015.203
230	2 x 6	0.125	2 x 8.4	40	1.5	25	1-5/6-7;9-10	2.ASX.E03015.204
230	7.5	0.200	10.5	40	1.5	25	1-5/7-9	2.ASX.E03015.205
230	2 x 7.5	0.100	2 x 10.5	40	1.5	25	1-5/6-7;9-10	2.ASX.E03015.206
230	9	0.167	12.6	40	1.5	25	1-5/7-9	2.ASX.E03015.207
230	2 x 9	0.083	2 x 12.6	40	1.5	25	1-5/6-7;9-10	2.ASX.E03015.208
230	12	0.125	16.8	40	1.5	25	1-5/7-9	2.ASX.E03015.209
230	2 x 12	0.063	2 x 16.8	40	1.5	25	1-5/6-7;9-10	2.ASX.E03015.210
230	15	0.100	21.0	40	1.5	25	1-5/7-9	2.ASX.E03015.211
230	2 x 15	0.050	2 x 21.0	40	1.5	25	1-5/6-7;9-10	2.ASX.E03015.212
230	18	0.083	25.2	40	1.5	25	1-5/7-9	2.ASX.E03015.213
230	2 x 18	0.042	2 x 25.2	40	1.5	25	1-5/6-7;9-10	2.ASX.E03015.214
230	21	0.071	29.4	40	1.5	25	1-5/7-9	2.ASX.E03015.215
230	2 x 21	0.036	2 x 29.4	40	1.5	25	1-5/6-7;9-10	2.ASX.E03015.216

\* See Mechanical Data

### Types available on request:

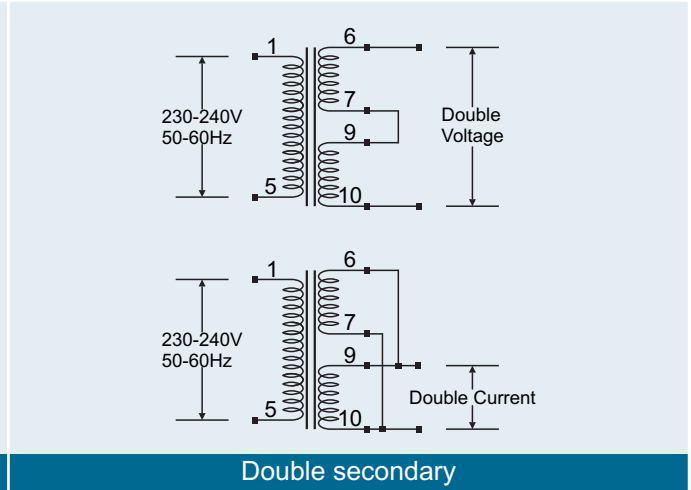
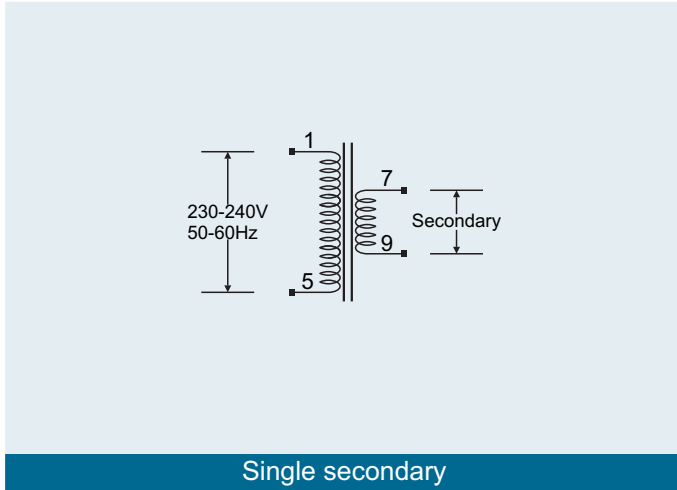
Primary Voltage	Secondary Voltage			Voltage Drop	Rated Power	Height*	Pin	9.xxx Series
	With Load		No Load					
[V]	[V]	@ [mA]	[V]	[%]	[VA]	H* [mm]	[Prim / Sec]	Order code
<600			<400	40	0.4	14	1, 5 / 6, 7, 9, 10	9.xxx.E03005.xxx
<600			<400	40	1.0	20	1, 5 / 6, 7, 9, 10	9.xxx.E03010.xxx
<600			<400	40	1.2	22	1, 5 / 6, 7, 9, 10	9.xxx.E03012.xxx
<600			<400	40	1.5	25	1, 5 / 6, 7, 9, 10	9.xxx.E03015.xxx
<600			<400	40	1.8	27.5	1, 5 / 6, 7, 9, 10	9.xxx.E03018.xxx
<600			<400	40	2.0	32.5	1, 5 / 6, 7, 8, 9	9.xxx.E03023.xxx

\* See Mechanical Data

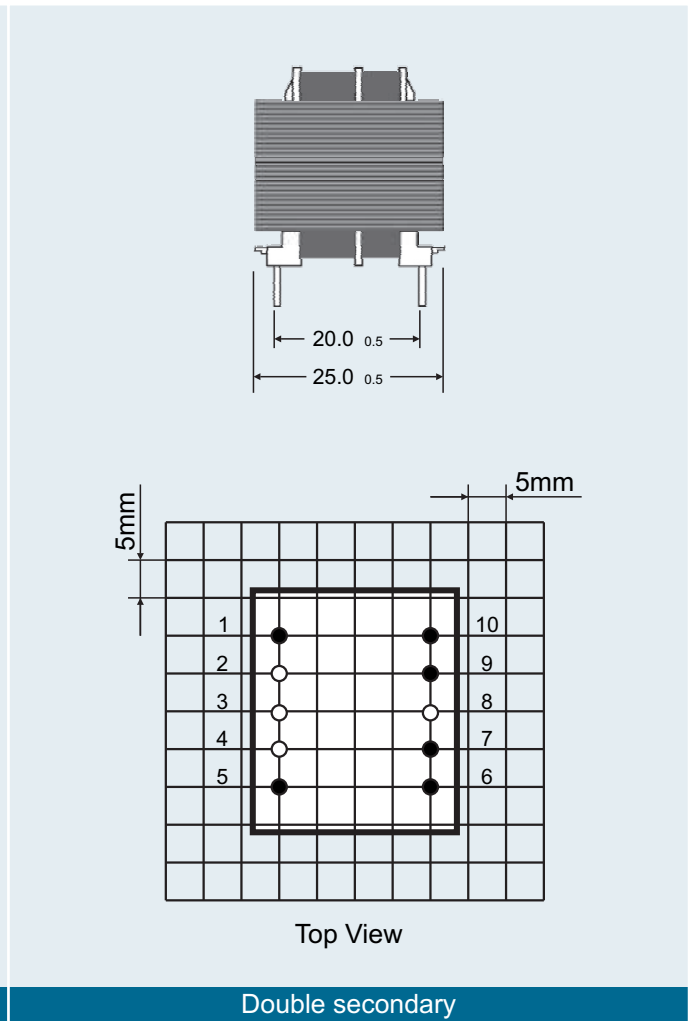
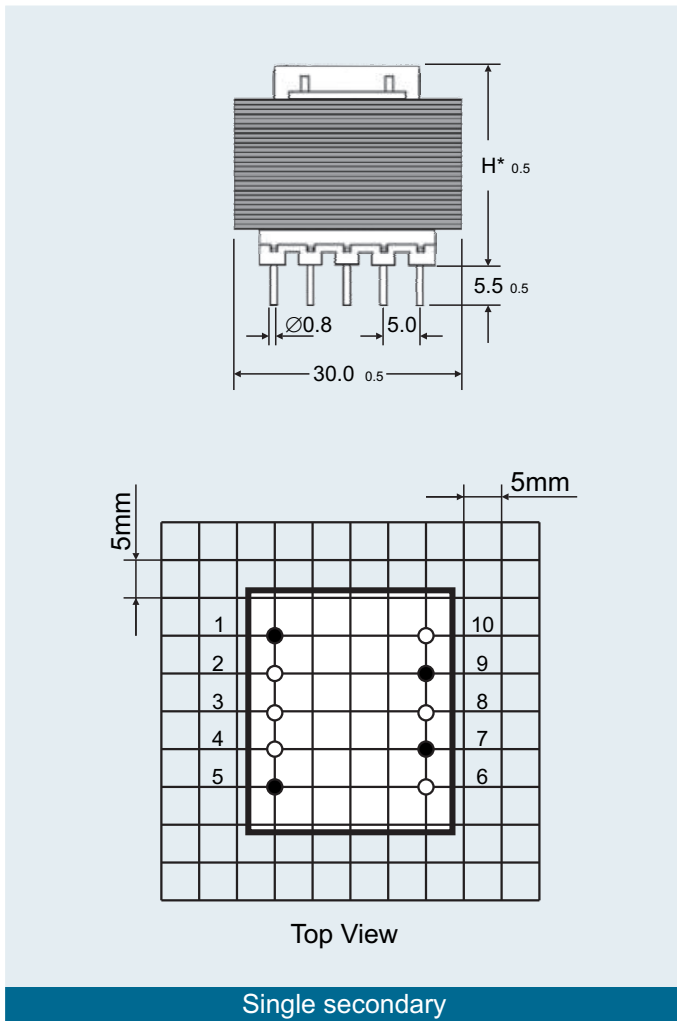
# 2.ASX SERIES

## PCB-Mounting Dry Type Power Transformer

#### Possible Connection Types:



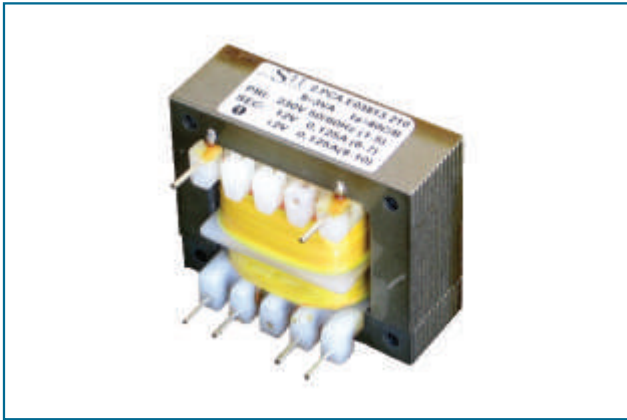
#### Mechanical Data:



\*Transformer height is given in table with Electrical Data

# 2.ASX SERIES

## PCB-Mounting Dry Type Power Transformer



- Rated power: 3.0VA
- Non short-circuit proof safety isolating transformer
- Two compartments bobbin
- Protection: Class II transformer
- Ambient temperature 40°C
- Temperature Class B
- Self-extinguishing plastics UL94HB
- Degree of protection IP00
- Moisture protected by varnish
- High electrical safety and long service-life features
- In compliance with: EN61558-1, EN61558-2-6
- Weight: 120g

### Approvals:



### Electrical Data:

Primary Voltage	Secondary Voltage			Voltage Drop	Rated Power	Height*	Pin	2.ASX Series
	With Load		No Load					
[V]	[V]	@ [A]	[V]	[%]	[VA]	H* [mm]	[Prim / Sec]	Order code
230	6	0.500	8.4	40	3	25.3	1-5/7-9	2.ASX.E03813.203
230	2 x 6	0.250	2 x 8.4	40	3	25.3	1-5/6-7;9-10	2.ASX.E03813.204
230	7.5	0.400	10.5	40	3	25.3	1-5/7-9	2.ASX.E03813.205
230	2 x 7.5	0.200	2 x 10.5	40	3	25.3	1-5/6-7;9-10	2.ASX.E03813.206
230	9	0.333	12.6	40	3	25.3	1-5/7-9	2.ASX.E03813.207
230	2 x 9	0.167	2 x 12.6	40	3	25.3	1-5/6-7;9-10	2.ASX.E03813.208
230	12	0.250	16.8	40	3	25.3	1-5/7-9	2.ASX.E03813.209
230	2 x 12	0.125	2 x 16.8	40	3	25.3	1-5/6-7;9-10	2.ASX.E03813.210
230	15	0.200	21.0	40	3	25.3	1-5/7-9	2.ASX.E03813.211
230	2 x 15	0.100	2 x 21.0	40	3	25.3	1-5/6-7;9-10	2.ASX.E03813.212
230	18	0.167	25.2	40	3	25.3	1-5/7-9	2.ASX.E03813.213
230	2 x 18	0.083	2 x 25.2	40	3	25.3	1-5/6-7;9-10	2.ASX.E03813.214
230	21	0.143	29.4	40	3	25.3	1-5/7-9	2.ASX.E03813.215
230	2 x 21	0.071	2 x 29.4	40	3	25.3	1-5/6-7;9-10	2.ASX.E03813.216

\* See Mechanical Data

### Types available on request:

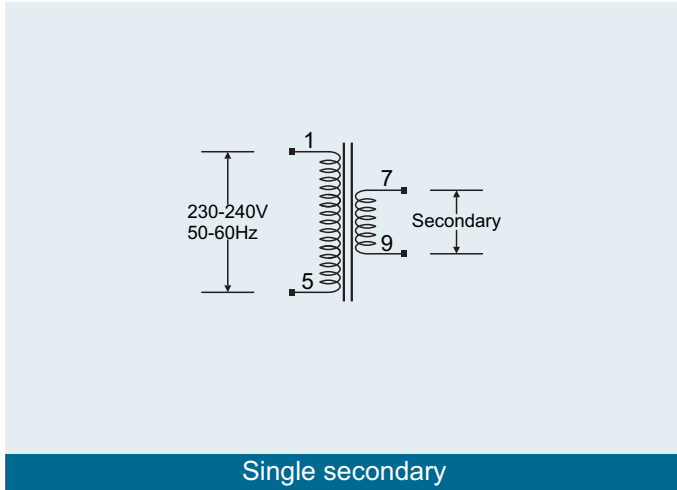
Primary Voltage	Secondary Voltage			Voltage Drop	Rated Power	Height*	Pin	9.xxx Series
	With Load		No Load					
[V]	[V]	@ [mA]	[V]	[%]	[VA]	H* [mm]	[Prim / Sec]	Order code
<600			<400	40	3.0	25.3	1, 5 / 6, 7, 9, 10	9.xxx.E03813.xxx
<600			<400	40	4.0	27.3	1, 5 / 6, 7, 9, 10	9.xxx.E03815.xxx
<600			<400	40	5.0	32.3	1, 5 / 6, 7, 9, 10	9.xxx.E03820.xxx

\* See Mechanical Data

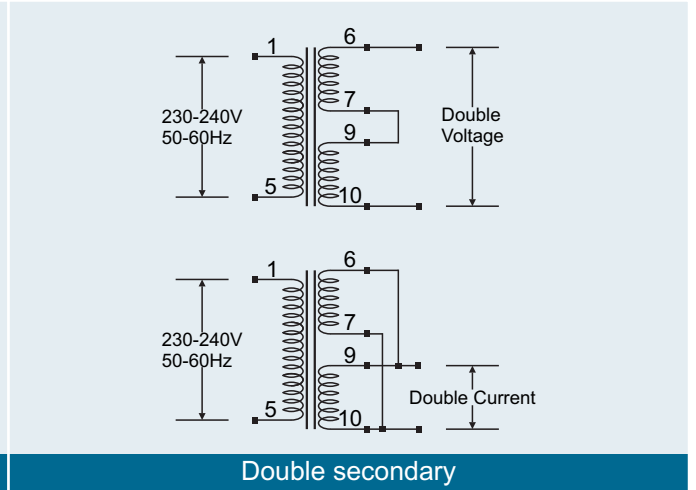
# 2.ASX SERIES

## PCB-Mounting Dry Type Power Transformer

### Possible Connection Types:

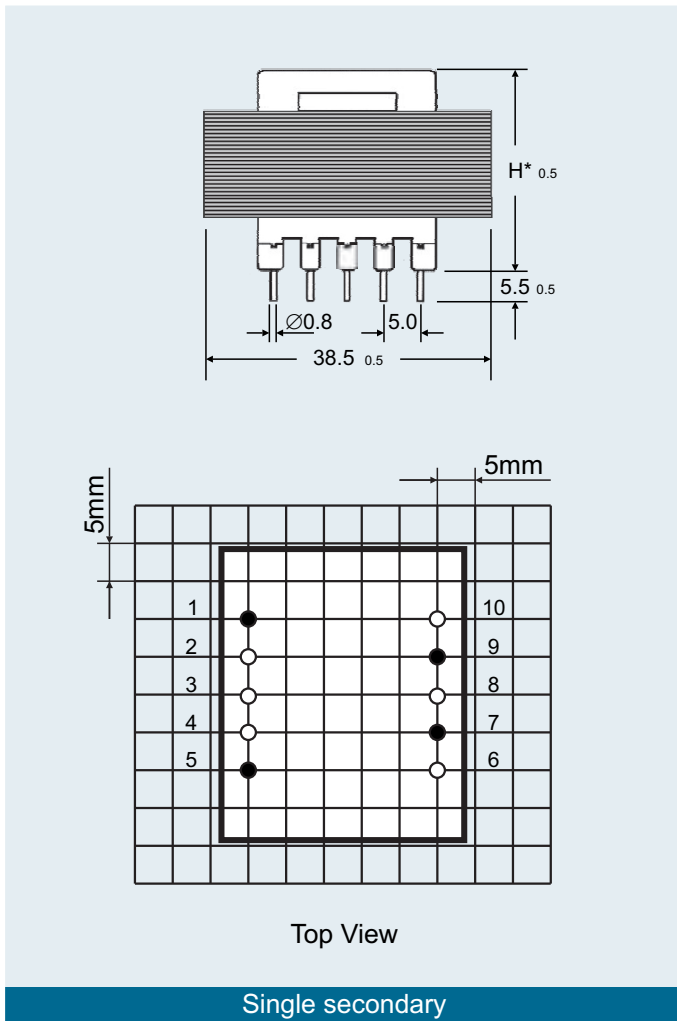


Single secondary

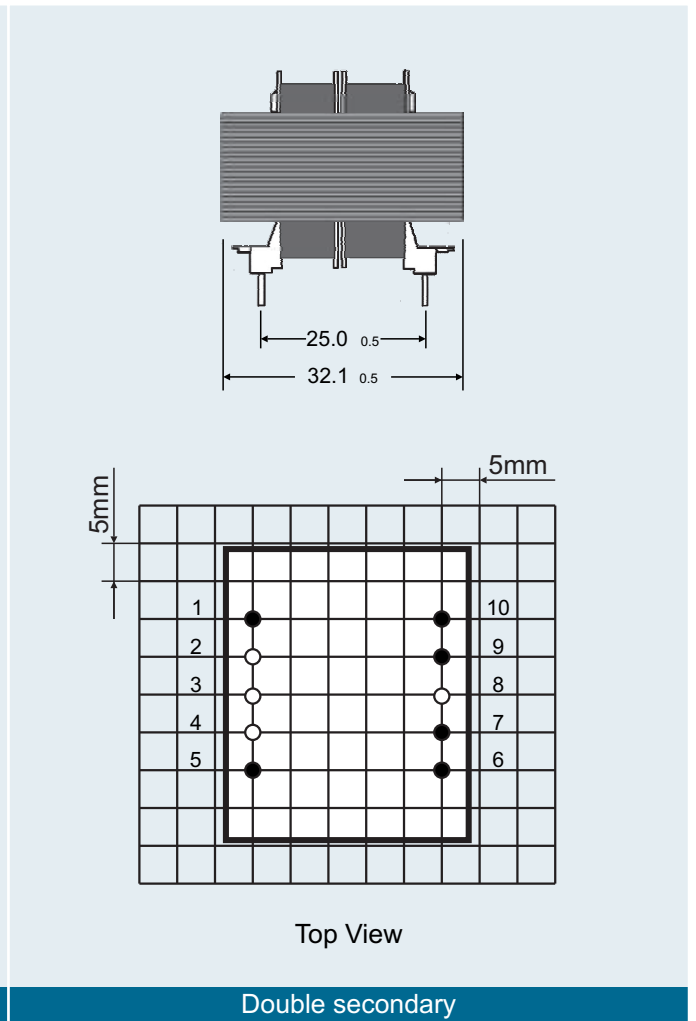


Double secondary

### Mechanical Data:



Single secondary



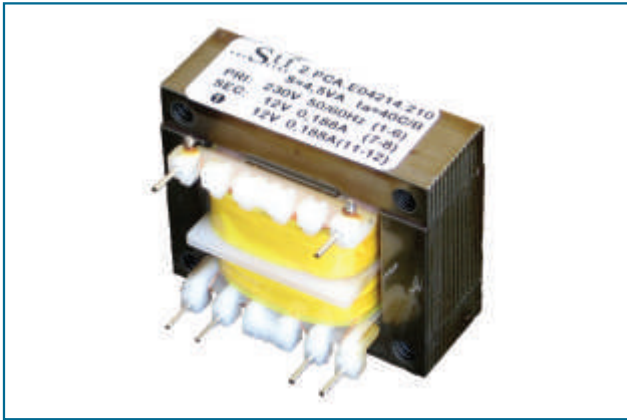
Double secondary

\*Transformer height is given in table with Electrical Data



# 2.ASX SERIES

## PCB-Mounting Dry Type Power Transformer



- Rated power: 4.5VA
- Non short-circuit proof safety isolating transformer
- Two compartments bobbin
- Protection: Class II transformer
- Ambient temperature 40°C
- Temperature Class B
- Self-extinguishing plastics UL94HB
- Degree of protection IP00
- Moisture protected by varnish
- High electrical safety and long service-life features
- In compliance with: EN61558-1, EN61558-2-6
- Weight: 165g

### Approvals:



### Electrical Data:

Primary Voltage	Secondary Voltage			Voltage Drop	Rated Power	Height*	Pin	2.ASX Series
	With Load		No Load					
[V]	[V]	@ [A]	[V]	[%]	[VA]	H* [mm]	[Prim / Sec]	Order code
230	6	0.750	8.4	40	4.5	29.0	1-6/8-11	2.ASX.E04214.203
230	2 x 6	0.375	2 x 8.4	40	4.5	29.0	1-6/7-8;11-12	2.ASX.E04214.204
230	7.5	0.600	10.5	40	4.5	29.0	1-6/8-11	2.ASX.E04214.205
230	2 x 7.5	0.300	2 x 10.5	40	4.5	29.0	1-6/7-8;11-12	2.ASX.E04214.206
230	9	0.500	12.6	40	4.5	29.0	1-6/8-11	2.ASX.E04214.207
230	2 x 9	0.250	2 x 12.6	40	4.5	29.0	1-6/7-8;11-12	2.ASX.E04214.208
230	12	0.375	16.8	40	4.5	29.0	1-6/8-11	2.ASX.E04214.209
230	2 x 12	0.188	2 x 16.8	40	4.5	29.0	1-6/7-8;11-12	2.ASX.E04214.210
230	15	0.300	21.0	40	4.5	29.0	1-6/8-11	2.ASX.E04214.211
230	2 x 15	0.150	2 x 21.0	40	4.5	29.0	1-6/7-8;11-12	2.ASX.E04214.212
230	18	0.250	25.2	40	4.5	29.0	1-6/8-11	2.ASX.E04214.213
230	2 x 18	0.125	2 x 25.2	40	4.5	29.0	1-6/7-8;11-12	2.ASX.E04214.214
230	21	0.214	29.4	40	4.5	29.0	1-6/8-11	2.ASX.E04214.215
230	2 x 21	0.107	2 x 29.4	40	4.5	29.0	1-6/7-8;11-12	2.ASX.E04214.216

\* See Mechanical Data

### Types available on request:

Primary Voltage	Secondary Voltage			Voltage Drop	Rated Power	Height*	Pin	9.xxx Series
	With Load		No Load					
[V]	[V]	@ [mA]	[V]	[%]	[VA]	H* [mm]	[Prim / Sec]	Order code
<600			<400	40	4.5	29.0	1, 6 / 7, 8, 11, 12	9.xxx.E04214.xxx
<600			<400	30	7.0	34.4	1, 6 / 7, 8, 11, 12	9.xxx.E04220.xxx

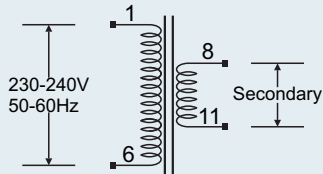
\* See Mechanical Data



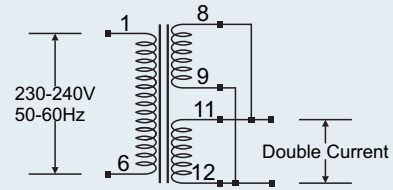
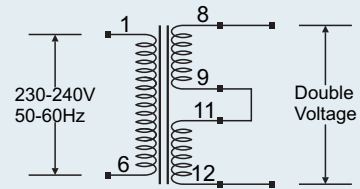
# 2.ASX SERIES

## PCB-Mounting Dry Type Power Transformer

#### Possible Connection Types:

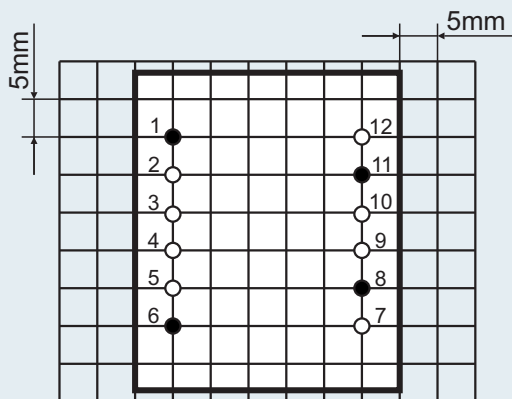
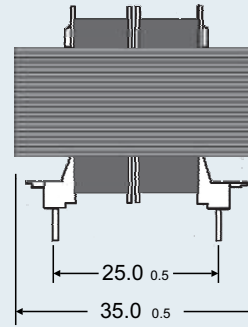
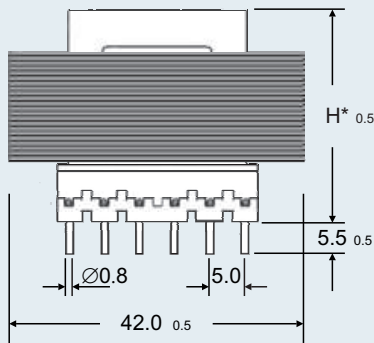


Single secondary



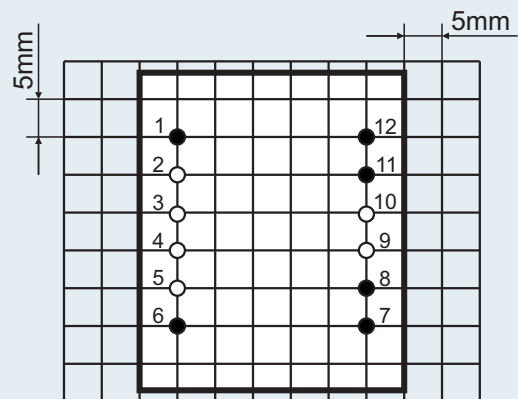
Double secondary

#### Mechanical Data:



Top View

Single secondary



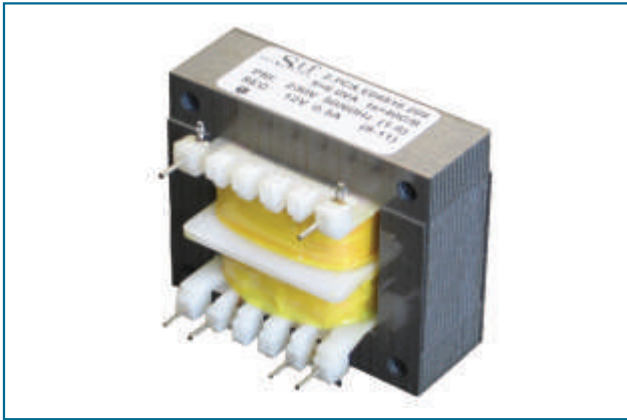
Top View

Double secondary

\*Transformer height is given in table with Electrical Data

# 2.ASX SERIES

## PCB-Mounting Dry Type Power Transformer



- Rated power: 6VA
- Non short-circuit proof safety isolating transformer
- Two compartments bobbin
- Protection: Class II transformer
- Ambient temperature 40°C
- Temperature Class B
- Self-extinguishing plastics UL94HB
- Degree of protection IP00
- Moisture protected by varnish
- High electrical safety and long service-life features
- In compliance with: EN61558-1, EN61558-2-6
- Weight: 230g

### Approvals:



### Electrical Data:

Primary Voltage	Secondary Voltage			Voltage Drop	Rated Power	Height*	Pin	2.ASX Series
	With Load		No Load					
[V]	[V]	@ [A]	[V]	[%]	[VA]	H* [mm]	[Prim / Sec]	Order code
230	6	1.000	7.2	20	6	34.1	1-6/8-11	2.ASX.E04816.203
230	2 x 6	0.500	2 x 7.2	20	6	34.1	1-6/7-8;11-12	2.ASX.E04816.204
230	7.5	0.800	9.0	20	6	34.1	1-6/8-11	2.ASX.E04816.205
230	2 x 7.5	0.400	2 x 9.0	20	6	34.1	1-6/7-8;11-12	2.ASX.E04816.206
230	9	0.667	10.8	20	6	34.1	1-6/8-11	2.ASX.E04816.207
230	2 x 9	0.333	2 x 10.8	20	6	34.1	1-6/7-8;11-12	2.ASX.E04816.208
230	12	0.500	14.4	20	6	34.1	1-6/8-11	2.ASX.E04816.209
230	2 x 12	0.250	2 x 14.4	20	6	34.1	1-6/7-8;11-12	2.ASX.E04816.210
230	15	0.400	18.0	20	6	34.1	1-6/8-11	2.ASX.E04816.211
230	2 x 15	0.200	2 x 18.0	20	6	34.1	1-6/7-8;11-12	2.ASX.E04816.212
230	18	0.333	21.6	20	6	34.1	1-6/8-11	2.ASX.E04816.213
230	2 x 18	0.167	2 x 21.6	20	6	34.1	1-6/7-8;11-12	2.ASX.E04816.214
230	21	0.286	25.2	20	6	34.1	1-6/8-11	2.ASX.E04816.215
230	2 x 21	0.143	2 x 25.2	20	6	34.1	1-6/7-8;11-12	2.ASX.E04816.216

\* See Mechanical Data

### Types available on request:

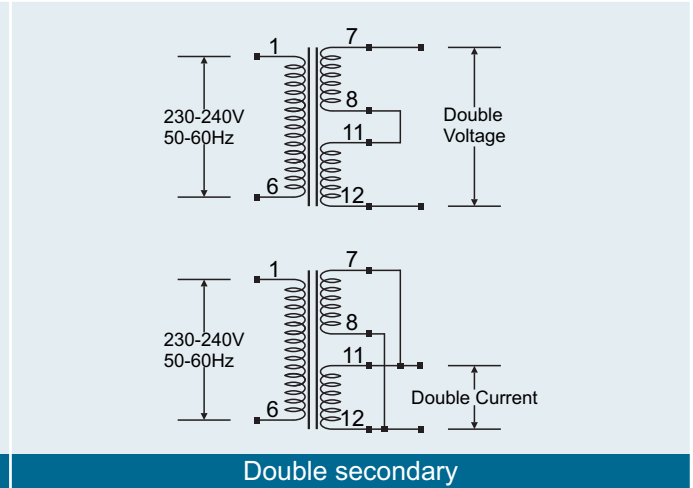
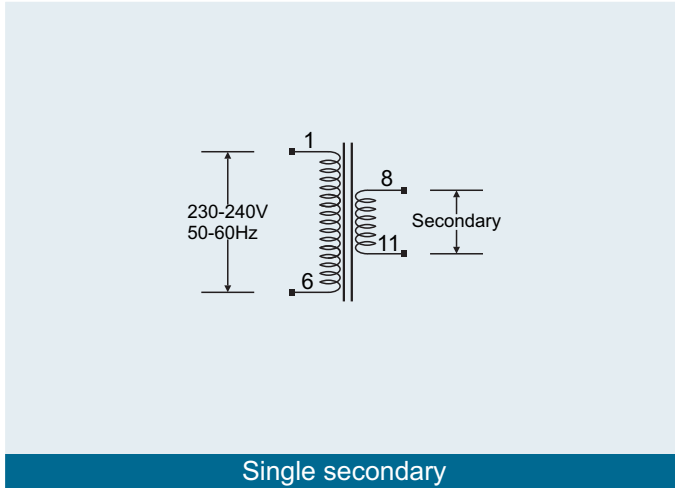
Primary Voltage	Secondary Voltage			Voltage Drop	Rated Power	Height*	Pin	9.xxx Series
	With Load		No Load					
[V]	[V]	@ [mA]	[V]	[%]	[VA]	H* [mm]	[Prim / Sec]	Order code
<600			<400	20	6	34.1	1, 6 / 7, 8, 11, 12	9.xxx.E04816.xxx
<600			<400	20	9	37.8	1, 6 / 7, 8, 11, 12	9.xxx.E04820.xxx
<600			<400	20	12	42.8	1, 6 / 7, 8, 11, 12	9.xxx.E04825.xxx

\* See Mechanical Data

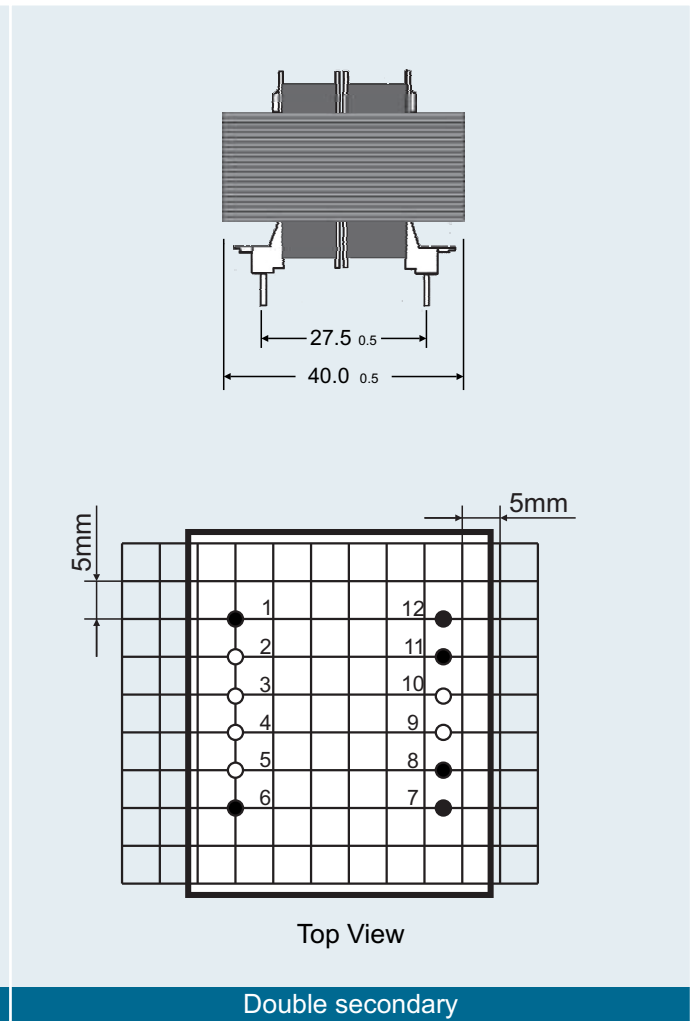
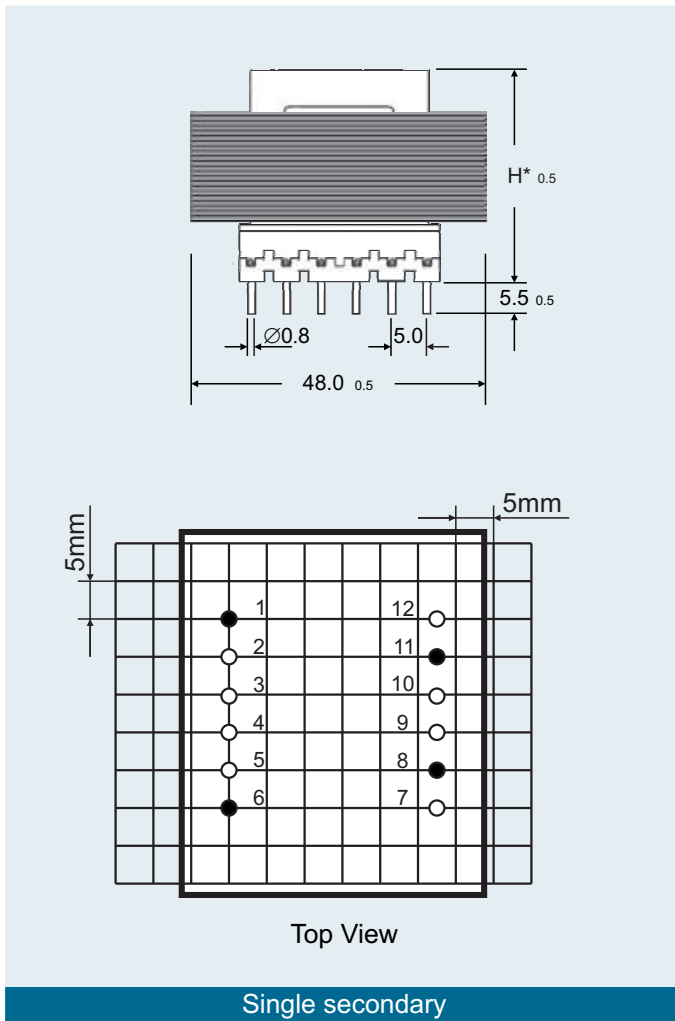
# 2.ASX SERIES

## PCB-Mounting Dry Type Power Transformer

#### Possible Connection Types:



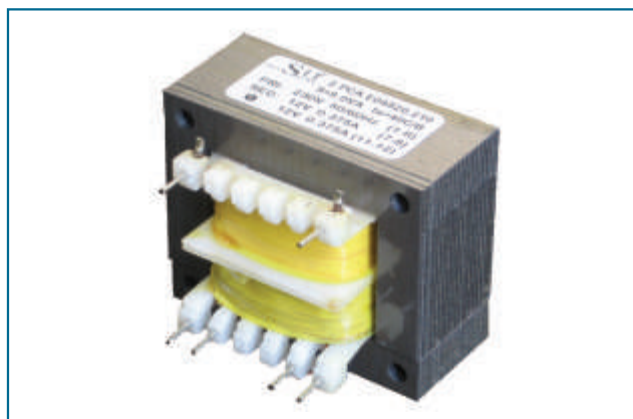
#### Mechanical Data:



\*Transformer height is given in table with Electrical Data

# 2.ASX SERIES

## PCB-Mounting Dry Type Power Transformer



- Rated power: 9VA
- Non short-circuit proof safety isolating transformer
- Two compartments bobbin
- Protection: Class II transformer
- Ambient temperature 40°C
- Temperature Class B
- Self-extinguishing plastics UL94HB
- Degree of protection IP00
- Moisture protected by varnish
- High electrical safety and long service-life features
- In compliance with: EN61558-1, EN61558-2-6
- Weight: 285g

### Approvals:



### Electrical Data:

Primary Voltage	Secondary Voltage			Voltage Drop	Rated Power	Height*	Pin	2.ASX Series
	With Load		No Load					
[V]	[V]	@ [A]	[V]	[%]	[VA]	H* [mm]	[Prim / Sec]	Order code
230	6	1.500	7.2	20	9	37.8	1-6/8-11	2.ASX.E04820.203
230	2 x 6	0.750	2 x 7.2	20	9	37.8	1-6/7-8;11-12	2.ASX.E04820.204
230	7.5	1.200	9.0	20	9	37.8	1-6/8-11	2.ASX.E04820.205
230	2 x 7.5	0.600	2 x 9.0	20	9	37.8	1-6/7-8;11-12	2.ASX.E04820.206
230	9	1.000	10.8	20	9	37.8	1-6/8-11	2.ASX.E04820.207
230	2 x 9	0.500	2 x 10.8	20	9	37.8	1-6/7-8;11-12	2.ASX.E04820.208
230	12	0.750	14.4	20	9	37.8	1-6/8-11	2.ASX.E04820.209
230	2 x 12	0.375	2 x 14.4	20	9	37.8	1-6/7-8;11-12	2.ASX.E04820.210
230	15	0.600	18.0	20	9	37.8	1-6/8-11	2.ASX.E04820.211
230	2 x 15	0.300	2 x 18.0	20	9	37.8	1-6/7-8;11-12	2.ASX.E04820.212
230	18	0.500	21.6	20	9	37.8	1-6/8-11	2.ASX.E04820.213
230	2 x 18	0.250	2 x 21.6	20	9	37.8	1-6/7-8;11-12	2.ASX.E04820.214
230	21	0.429	25.2	20	9	37.8	1-6/8-11	2.ASX.E04820.215
230	2 x 21	0.214	2 x 25.2	20	9	37.8	1-6/7-8;11-12	2.ASX.E04820.216

\* See Mechanical Data

### Types available on request:

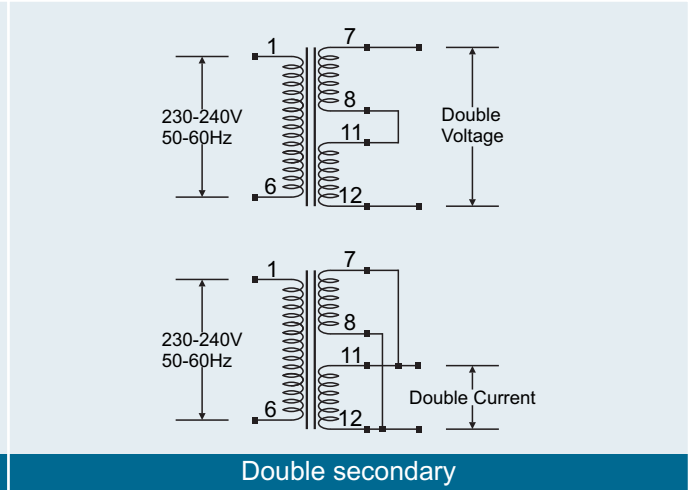
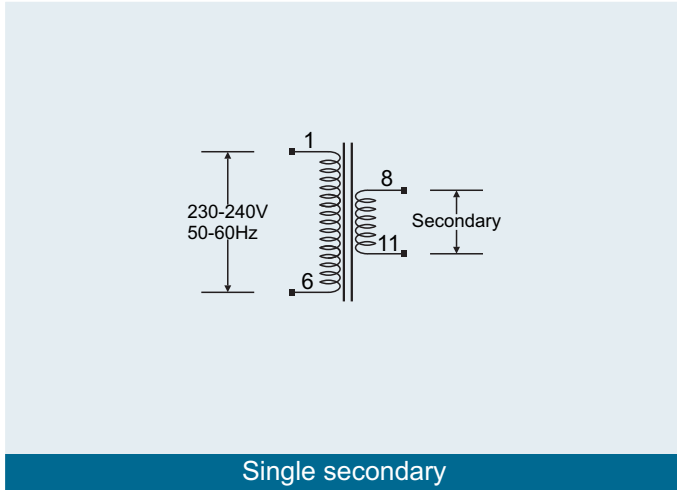
Primary Voltage	Secondary Voltage			Voltage Drop	Rated Power	Height*	Pin	9.xxx Series
	With Load		No Load					
[V]	[V]	@ [mA]	[V]	[%]	[VA]	H* [mm]	[Prim / Sec]	Order code
<600			<400	20	6	34.1	1, 6 / 7, 8, 11, 12	9.xxx.E04816.xxx
<600			<400	20	9	37.8	1, 6 / 7, 8, 11, 12	9.xxx.E04820.xxx
<600			<400	20	12	42.8	1, 6 / 7, 8, 11, 12	9.xxx.E04825.xxx

\* See Mechanical Data

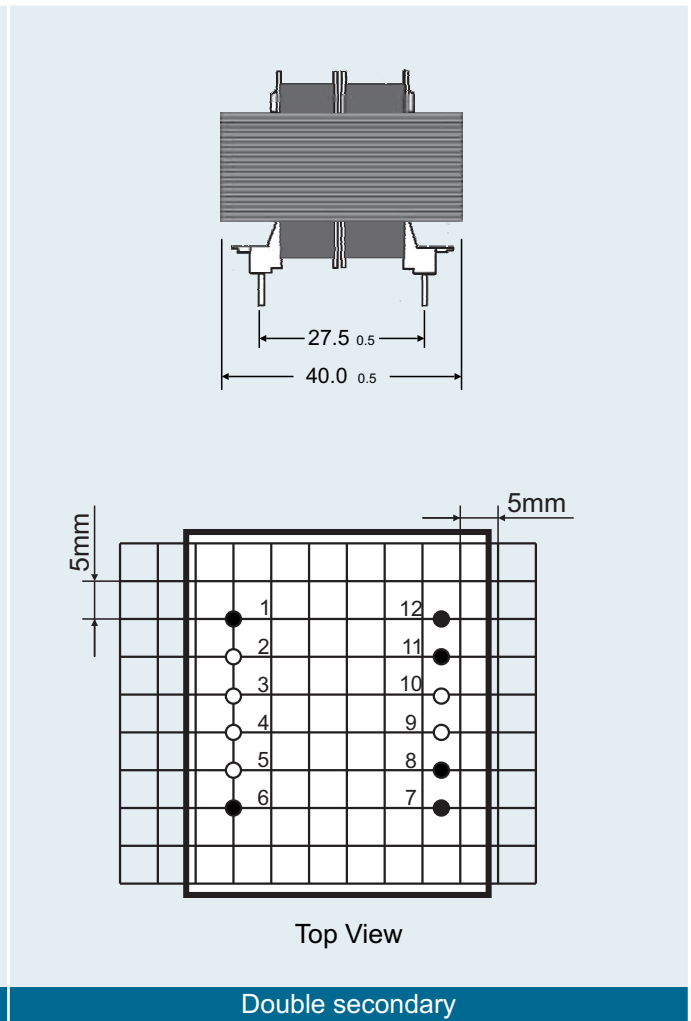
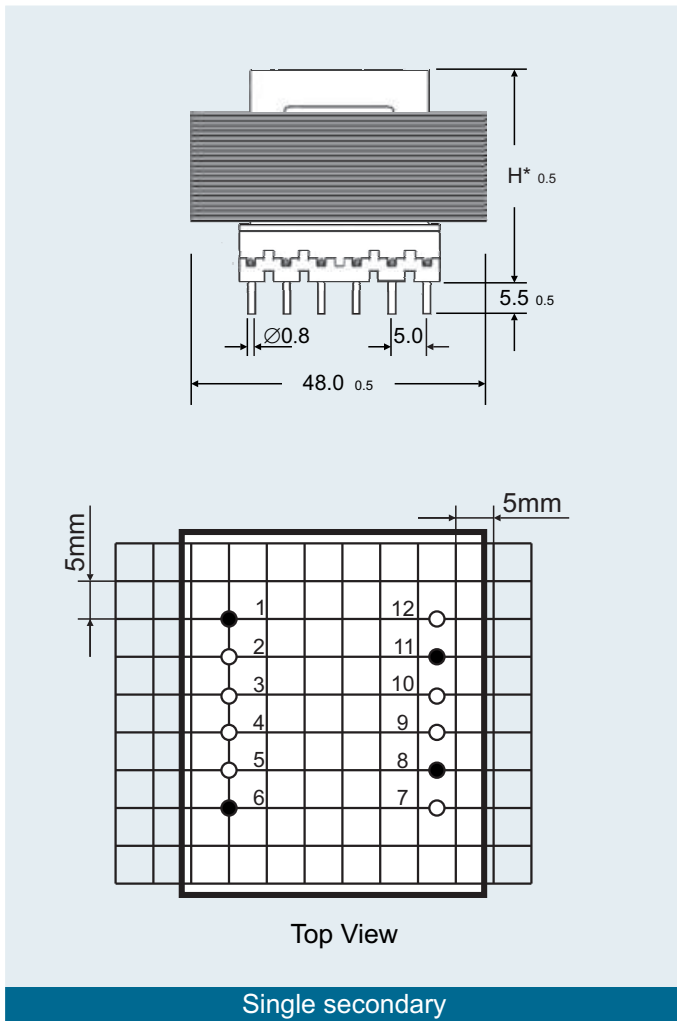
# 2.ASX SERIES

## PCB-Mounting Dry Type Power Transformer

### Possible Connection Types:



### Mechanical Data:



\*Transformer height is given in table with Electrical Data

# 2.ASX SERIES

## PCB-Mounting Dry Type Power Transformer



- Rated power: 18VA
- Non short-circuit proof safety isolating transformer
- Two compartments bobbin
- Protection: Class II transformer
- Ambient temperature 40°C
- Temperature Class B
- Self-extinguishing plastics UL94HB
- Degree of protection IP00
- Moisture protected by varnish
- High electrical safety and long service-life features
- In compliance with: EN61558-1, EN61558-2-6
- Weight: 460g

### Approvals:



### Electrical Data:

Primary Voltage	Secondary Voltage			Voltage Drop	Rated Power	Height*	Pin	2.ASX Series
	With Load		No Load					
[V]	[V]	@ [A]	[V]	[%]	[VA]	H* [mm]	[Prim / Sec]	Order code
230	6	3.000	7.2	20	18	40.9	1-7/9-13	2.ASX.E06020.203
230	2 x 6	1.500	2 x 7.2	20	18	40.9	1-7/8-9;13-14	2.ASX.E06020.204
230	7.5	2.400	9.0	20	18	40.9	1-7/9-13	2.ASX.E06020.205
230	2 x 7.5	1.200	2 x 9.0	20	18	40.9	1-7/8-9;13-14	2.ASX.E06020.206
230	9	2.000	10.8	20	18	40.9	1-7/9-13	2.ASX.E06020.207
230	2 x 9	1.000	2 x 10.8	20	18	40.9	1-7/8-9;13-14	2.ASX.E06020.208
230	12	1.500	14.4	20	18	40.9	1-7/9-13	2.ASX.E06020.209
230	2 x 12	0.750	2 x 14.4	20	18	40.9	1-7/8-9;13-14	2.ASX.E06020.210
230	15	1.200	18.0	20	18	40.9	1-7/9-13	2.ASX.E06020.211
230	2 x 15	0.600	2 x 18.0	20	18	40.9	1-7/8-9;13-14	2.ASX.E06020.212
230	18	1.000	21.6	20	18	40.9	1-7/9-13	2.ASX.E06020.213
230	2 x 18	0.500	2 x 21.6	20	18	40.9	1-7/8-9;13-14	2.ASX.E06020.214
230	21	0.857	25.2	20	18	40.9	1-7/9-13	2.ASX.E06020.215
230	2 x 21	0.429	2 x 25.2	20	18	40.9	1-7/8-9;13-14	2.ASX.E06020.216

\* See Mechanical Data

### Types available on request:

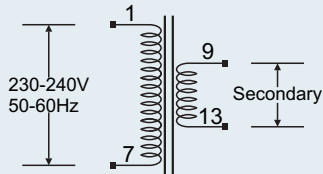
Primary Voltage	Secondary Voltage			Voltage Drop	Rated Power	Height*	Pin	9.xxx Series
	With Load		No Load					
[V]	[V]	@ [mA]	[V]	[%]	[VA]	H* [mm]	[Prim / Sec]	Order code
<600			<400	20	18	40.9	1, 7 / 8, 9, 13, 14	9.xxx.E06020.xxx
<600			<400	20	25	45.3	1, 7 / 8, 9, 13, 14	9.xxx.E06025.xxx
<600			<400	20	30	50.3	1, 7 / 8, 9, 13, 14	9.xxx.E06030.xxx

\* See Mechanical Data

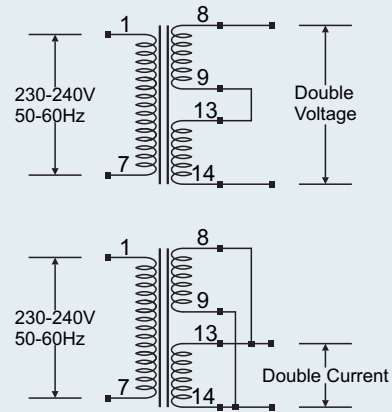
# 2.ASX SERIES

## PCB-Mounting Dry Type Power Transformer

#### Possible Connection Types:

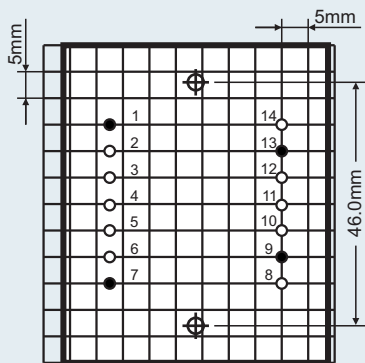
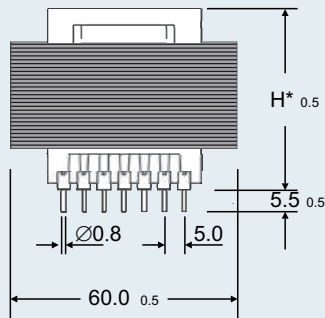


Single secondary



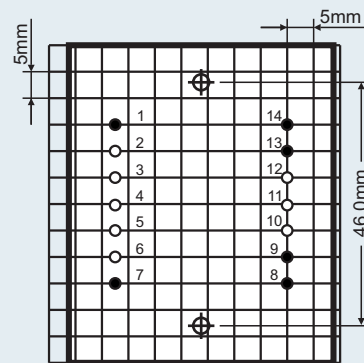
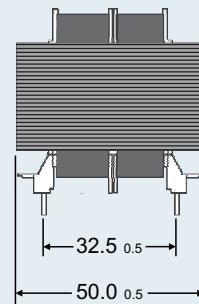
Double secondary

#### Mechanical Data:



Top View

Single secondary



Top View

Double secondary

\*Transformer height is given in table with Electrical Data



# 2.ASX SERIES

## PCB-Mounting Dry Type Power Transformer



- Rated power: 25VA
- Non short-circuit proof safety isolating transformer
- Two compartments bobbin
- Protection: Class II transformer
- Ambient temperature 40°C
- Temperature Class B
- Self-extinguishing plastics UL94HB
- Degree of protection IP00
- Moisture protected by varnish
- High electrical safety and long service-life features
- In compliance with: EN61558-1, EN61558-2-6
- Weight: 565g

### Approvals:



### Electrical Data:

Primary Voltage	Secondary Voltage			Voltage Drop	Rated Power	Height*	Pin	2.ASX Series
	With Load		No Load					
[V]	[V]	@ [A]	[V]	[%]	[VA]	H* [mm]	[Prim / Sec]	Order code
230	6	4.167	7.2	20	25	45.3	1-7/9-13	2.ASX.E06025.203
230	2 x 6	2.083	2 x 7.2	20	25	45.3	1-7/8-9;13-14	2.ASX.E06025.204
230	7.5	3.333	9.0	20	25	45.3	1-7/9-13	2.ASX.E06025.205
230	2 x 7.5	1.667	2 x 9.0	20	25	45.3	1-7/8-9;13-14	2.ASX.E06025.206
230	9	2.778	10.8	20	25	45.3	1-7/9-13	2.ASX.E06025.207
230	2 x 9	1.389	2 x 10.8	20	25	45.3	1-7/8-9;13-14	2.ASX.E06025.208
230	12	2.083	14.4	20	25	45.3	1-7/9-13	2.ASX.E06025.209
230	2 x 12	1.042	2 x 14.4	20	25	45.3	1-7/8-9;13-14	2.ASX.E06025.210
230	15	1.667	18.0	20	25	45.3	1-7/9-13	2.ASX.E06025.211
230	2 x 15	0.833	2 x 18.0	20	25	45.3	1-7/8-9;13-14	2.ASX.E06025.212
230	18	1.389	21.6	20	25	45.3	1-7/9-13	2.ASX.E06025.213
230	2 x 18	0.694	2 x 21.6	20	25	45.3	1-7/8-9;13-14	2.ASX.E06025.214
230	21	1.190	25.2	20	25	45.3	1-7/9-13	2.ASX.E06025.215
230	2 x 21	0.595	2 x 25.2	20	25	45.3	1-7/8-9;13-14	2.ASX.E06025.216

\* See Mechanical Data

### Types available on request:

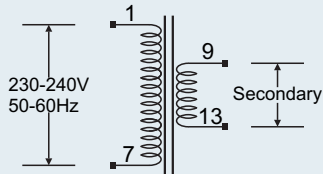
Primary Voltage	Secondary Voltage			Voltage Drop	Rated Power	Height*	Pin	9.xxx Series
	With Load		No Load					
[V]	[V]	@ [mA]	[V]	[%]	[VA]	H* [mm]	[Prim / Sec]	Order code
<600			<400	20	18	40.9	1, 7 / 8, 9, 13, 14	9.xxx.E06020.xxx
<600			<400	20	25	45.3	1, 7 / 8, 9, 13, 14	9.xxx.E06025.xxx
<600			<400	20	30	50.3	1, 7 / 8, 9, 13, 14	9.xxx.E06030.xxx

\* See Mechanical Data

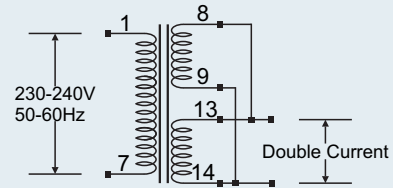
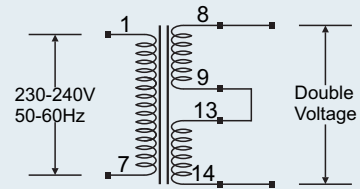
# 2.ASX SERIES

## PCB-Mounting Dry Type Power Transformer

#### Possible Connection Types:

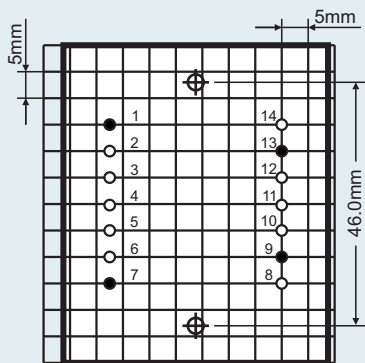
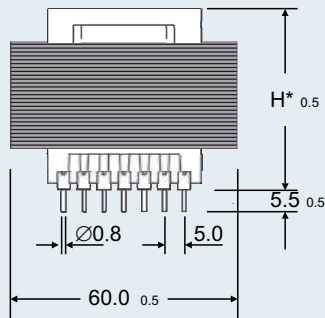


Single secondary



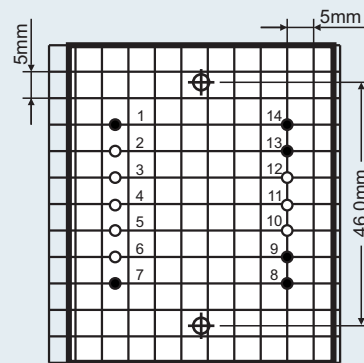
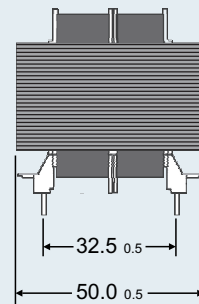
Double secondary

#### Mechanical Data:



Top View

Single secondary



Top View

Double secondary

\*Transformer height is given in table with Electrical Data